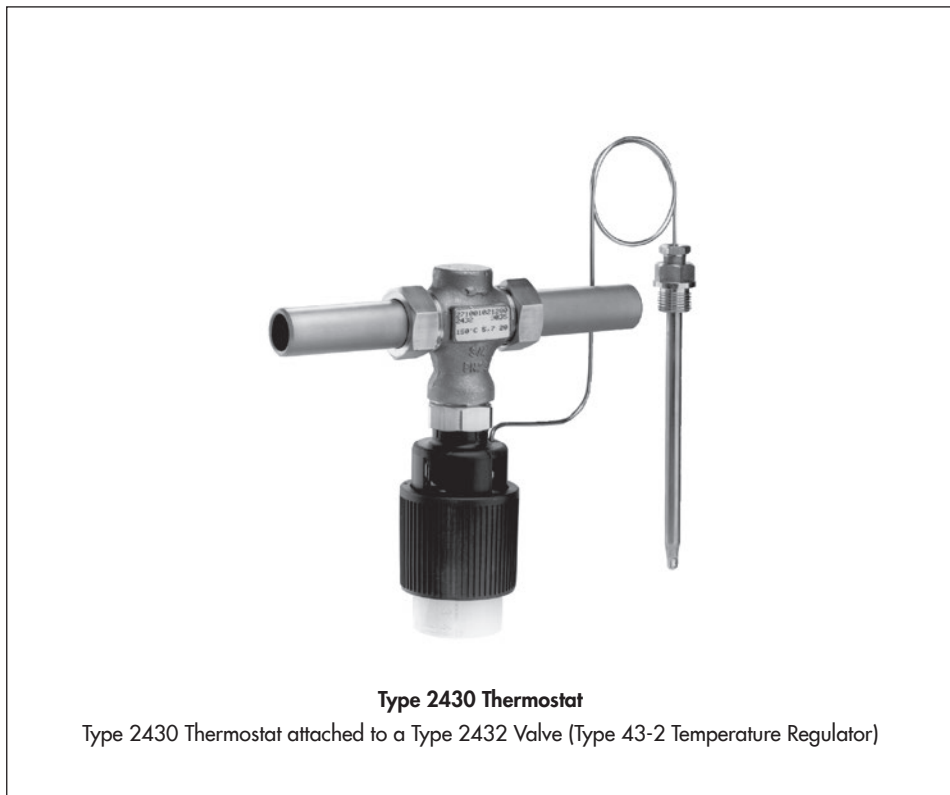


MOUNTING AND OPERATING INSTRUCTIONS



EB 2430 EN

Translation of original instructions



Type 2430 Thermostat

Type 2430 Thermostat attached to a Type 2432 Valve (Type 43-2 Temperature Regulator)

Type 2430 Thermostat

Self-operated Temperature Regulators · For Series 43 Valves

Edition May 2018



Note on these mounting and operating instructions

These mounting and operating instructions assist you in mounting and operating the device safely. The instructions are binding for handling SAMSON devices.

- For the safe and proper use of these instructions, read them carefully and keep them for later reference.
- If you have any questions about these instructions, contact SAMSON's After-sales Service Department (aftersaleservice@samson.de).



The mounting and operating instructions for the devices are included in the scope of delivery. The latest documentation is available on our website at www.samson.de > **Service & Support** > **Downloads** > **Documentation**.

Definition of signal words

DANGER

Hazardous situations which, if not avoided, will result in death or serious injury

WARNING

Hazardous situations which, if not avoided, could result in death or serious injury

NOTICE

Property damage message or malfunction

Note

Additional information

Tip

Recommended action

1	General safety instructions.....	4
2	Process medium and scope of application.....	5
2.1	Storage.....	5
3	Design and principle of operation	6
4	Installation	6
4.1	Installing the temperature sensor	7
4.2	Capillary tube	9
5	Operation	9
5.1	Set point adjustment.....	9
6	Technical data	12



1 General safety instructions

- The thermostat must be installed, started up or serviced by fully trained and qualified personnel only; the accepted industry codes and practices are to be observed. Make sure employees or third persons are not exposed to any danger.
- All warnings given in these mounting and operating instructions must be strictly observed.
- According to these mounting and operating instructions, trained personnel refers to individuals who are able to judge the work they are assigned to and recognize possible dangers due to their specialized training, their knowledge and experience as well as their knowledge of the applicable standards.
- To ensure appropriate use, only use the thermostat in applications where the operating pressure and temperatures do not exceed the specifications used for sizing the thermostat at the ordering stage.
- The manufacturer does not assume any responsibility for damage caused by external forces or any other external factors.
- Any hazards that could be caused in the thermostat by the process medium, operating pressure or by moving parts are to be prevented by taking appropriate precautions.
- Proper transport, storage, installation, operation and maintenance are assumed.
- SAMSON does not assume any liability for damage caused when the device is not used as intended.

2 Process medium and scope of application

When used in combination to a Series 43 Valve, the Type 2430 Thermostat (adsorption principle) is used as a temperature regulator suitable for liquids, gases and vapors up to operating pressures up to 40 bar. It is particularly suitable for use in district heating supply networks.

Refer to the mounting and operating instructions of the temperature regulators for details:

- ▶ EB 2171 Types 43-1 and 43-2 Regulators
- ▶ EB 2172 Types 43-5, 43-6 and 43-7 Regulators
- ▶ EB 2173 Type 43-3 Regulator
- ▶ EB 2178 Type 43-8 Regulator with Type 2430 Thermostat (vapor pressure)

- ▶ EB 2430-3 for details on fast-responding Type 2430 Thermostats (vapor pressure)



Testing according to DIN EN

The Type 2430 Thermostat is tested by the German Technical Inspectorate (TÜV) according to DIN EN 14597 using the type designation 2750-0. The register number is available on request.

2.1 Storage

Store within permissible ambient temperature range (−20 to +80 °C). Protect the thermostat against adverse influences, such as dirt or moisture during storage.

3 Design and principle of operation

The thermostat works according to the adsorption principle.

The temperature of the controlled medium creates a pressure in the sensor (11) which is proportional to the measured temperature. This pressure is transferred through the capillary tube (10) to the operating element (13) and converted into a positioning force. The valve stem (4) is moved by the operating bellows (9) and pin of the operating element (12).

By turning the set point adjuster (8), the point of response and the set point are changed over the spring (7).

4 Installation

i Note

Make sure that the permissible ambient temperature does not fall below $-20\text{ }^{\circ}\text{C}$ or exceed $+80\text{ }^{\circ}\text{C}$.

Install the valve in a horizontal pipeline. The control thermostat must be suspended to hang downward.



Other mounting positions are possible under certain operating conditions. Refer to the mounting and operating instructions of the temperature regulator.

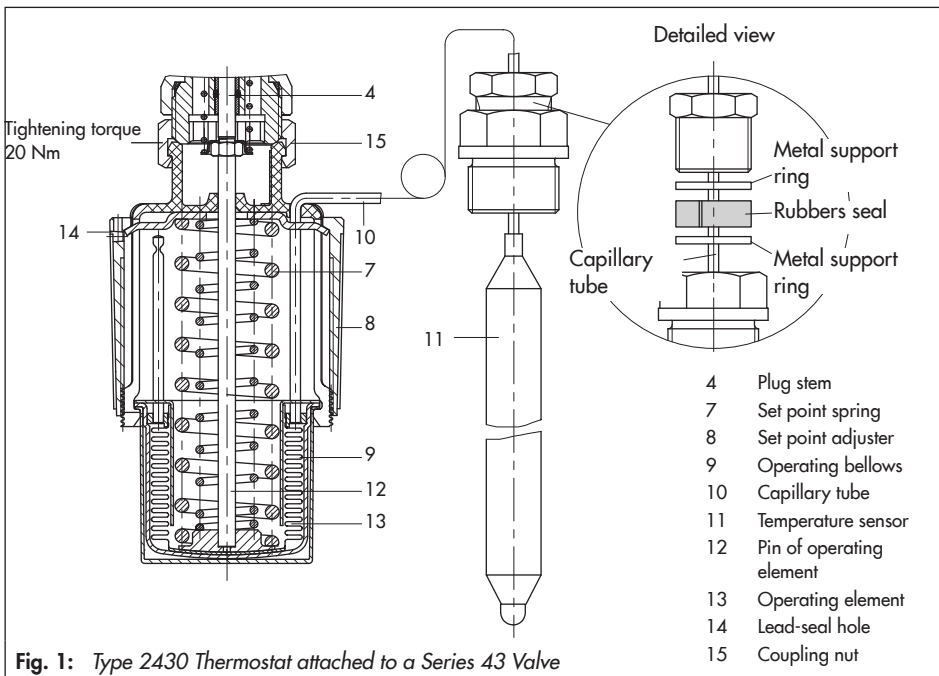


Fig. 1: Type 2430 Thermostat attached to a Series 43 Valve

Install a thermometer immersed in the medium to be controlled, close to the sensor. This allows the adjusted temperature set point to be monitored.

4.1 Installing the temperature sensor

The temperature sensor can be installed in any position as required. However, make sure its entire length is immersed in the process medium to be controlled. Select a place of installation where overheating and noticeable idle times will not occur. Weld a welding socket with G 1/2 female thread (for a sensor with 9.5 mm diameter) or G 3/4 female thread (for a sensor with 16 mm diameter) at the place of installation.

Seal the screw gland or thermowell in the welded-in socket. Insert the sensor and tighten it with the clamping screw.

NOTICE

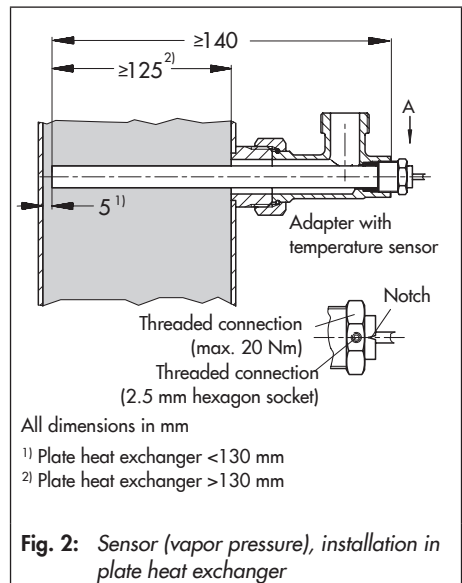
On installing the sensor or thermowell, only use similar materials (e.g. stainless steel with stainless steel or copper together with other copper materials) to prevent corrosion.

Special version: vapor pressure thermostats

- ➔ Special mounting instructions
 - ▶ EB 2430-3

The temperature sensors operating according to the vapor pressure principle are particularly suitable for use in plate heat exchangers due to the fast response time of approx. 3 s.

- ➔ To install the sensor in a plate heat exchanger, insert it horizontally into the hot water duct, making sure that the notch on the sensor faces upward.
- ➔ Screw the sensor's thread connection into the adapter. Align the sensor using the clamping screw and tighten it by hand.
- ➔ Installation only without thermowell.



4.2 Capillary tube

The capillary tube must be run in such a way that it cannot be damaged.

- The smallest permissible bending radius is 50 mm.
- Roll up excess capillary tube to form a ring.
- Do not bend or shorten the tube.
- The temperature at the tube must not exceed the permissible ambient temperature range. The ambient temperature must remain constant.

Table 1: Vapor pressure thermostats · Mounting position and materials

Type 2430 Thermostats (according to vapor pressure principle) · 45 to 65 °C						
Plate heat exchanger ¹⁾	Configuration ID	1058730		1109125		
	Sensor mounting position	Horizontal	•			
		Tip pointing down	–			
		Tip pointing up	–			
	Sensor material	CrNiMo steel	•			
	Sensor connection, screw gland	G ½		Without		
Capillary tube length	2 m					
Shell-and-tube or coaxial heat exchangers	Configuration ID	1045853	1067861	1045883	1072710	
	Sensor mounting position	Horizontal	•	•	•	•
		Tip pointing down	–	–	•	•
		Tip pointing up	•	•	–	–
	Sensor material	Copper	•	–	•	–
		CrNiMo steel	–	•	–	•
	Sensor connection, screw gland	G ½				
Capillary tube length	2 m					

¹⁾ Type 43-8, with instantaneous plate heat exchangers

5 Operation

5.1 Set point adjustment

Turn the black plastic adjuster (8) to adjust the set point while watching the reference thermometer. The adjustment diagrams can be used as a guide to find the first approximate values.

The temperature changes are specified in Table 2 per turn of the thermostat

Turn clockwise (☺):

- The (set point) temperature is reduced.

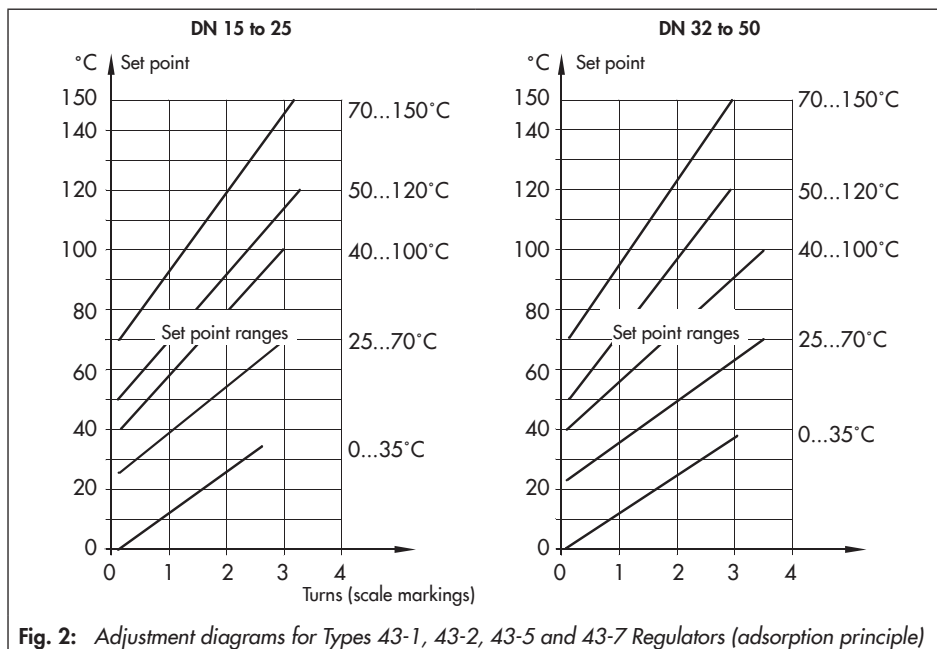
Turn counterclockwise (☹):

- The (set point) temperature is raised.

The adjusted set point can be lead-sealed at the hole (14).

Table 2: Adjustment values

Set point ranges	0 to 35 °C		25 to 70 °C		40 to 100 °C		50 to 120 °C		70 to 150 °C	
Sensor Ø in mm	9.5	16	9.5	16	9.5	16	9.5	16	9.5	16
Changes per turn in K	2.5	2	3	2	4	3	4	4.5	4.5	5
Changes per turn in K	2.5	2	3	2	4	3	4	4.5	4.5	5



Operation

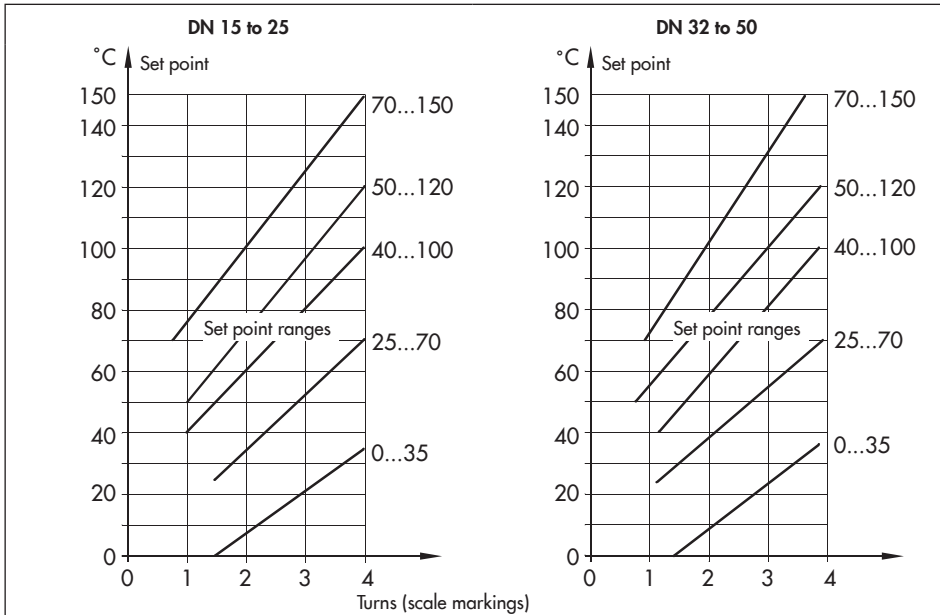


Fig. 3: Adjustment diagrams for Type 43-6 Regulator (adsorption principle)

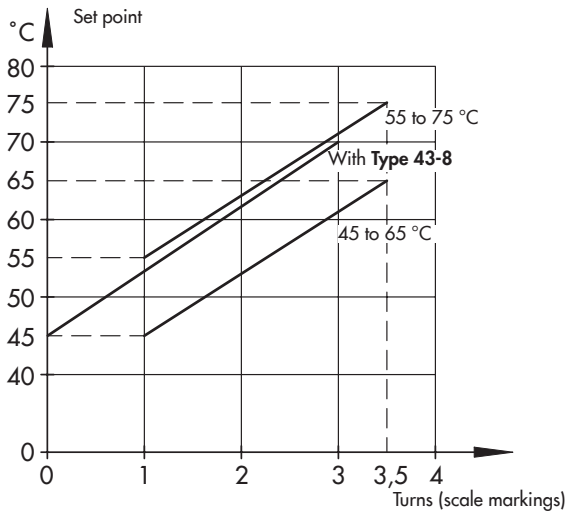


Fig. 4: Adjustment diagrams for Type 43-8 Regulator (Type 2430 vapor pressure thermostat)

6 Technical data

Table 3: *Technical data*

Type 2430 Thermostat	Adsorption principle		Vapor pressure principle
Version	Control thermostat		Fast-response control thermostat
For valve size	DN 15 to 25	DN 32 to 50	DN 15 to 50
	G ½ to G 1	–	G ½ to G 1
Sensor connection	G ½	G ¾	G ½
Set point ranges	0 to 35 °C · 25 to 70 °C · 40 to 100 °C 50 to 120 °C · 70 to 150 °C		45 to 65 °C · 55 to 75 °C
Permissible ambient temperature range	–20 to +80 °C		
Capillary tube length	2 m		
Sensor	Ø9.5 x 170 mm copper, PN 25	Ø16 x 210 mm copper, PN 25	Ø10 x 170 mm ¹⁾ copper, PN 25
Mounting position	Any desired position		Horizontal or tip pointing up/down

¹⁾ Sensor Ø 12 x 170 mm or Ø 12 x 160 mm: horizontal mounting position for plate heat exchanger

Table 4: *Accessories*

Order listed accessories from SAMSON, specifying the order number.

Sensor connection		G ½	G ¾
Type 2430	Copper, PN 40	1390-8984	1090-8465
thermowell	CrNiMo steel, PN 40		
Types 2430 and 2439: thermowell for flammable gases type tested by DVGW, PN 100, made of CrNiMo steel		1180-9510	1180-9511
Intermediate insulating piece ¹⁾ (for Types 43-3 and 43-6) for medium temperatures down to –15 °C with red brass bodies		1990-1712	–
Double adapter Do3K		1180-8632	–
Manual adjuster ²⁾		1790-8169	–

¹⁾ Not with oil-resistant version

²⁾ A double adapter Do3K is required when used together with Type 2430

EB 2430 EN



SAMSON AKTIENGESELLSCHAFT
Weismüllerstraße 3 · 60314 Frankfurt am Main, Germany
Phone: +49 69 4009-0 · Fax: +49 69 4009-1507
samson@samson.de · www.samson.de