

Spare Parts List for Type 3271/3277 (120 cm²)



Your contact details:

Title:

Name:

Company:

Customer no.

Street:

ZIP/postal code, city:

Country:

E-mail:

Phone:

Ordering spare parts

The spare parts for Type 3271/3277 are listed on the next pages. This document can also be used for ordering:

1. Fill in your contact data and information on the product.
2. Enter the quantity of spare parts needed.
3. Click [Send form] button to attach the PDF form to an e-mail.
4. Attach additional information (e.g. invoice, photos) to the e-mail, if necessary.
5. Send e-mail to spareparts-de@samsongroup.com.

Either

Configuration ID (Var-ID):

or

SAMSON order no.:

Position in order:

or specifications on the name-plate

(description of the currently valid nameplate ► EB 8310-1)

Type number		Fail-safe action
Model		Manual operation
Serial number		Special marking
Actuator area	120 cm ²	Date of manufacture
Bench range in bar and psi		Operating medium
Operating travel in mm		Diaphragm material
Operating range in bar and psi		Connecting thread
Permissible supply pressure p_{max} in bar or psi		

Send form

Print form

Clear form

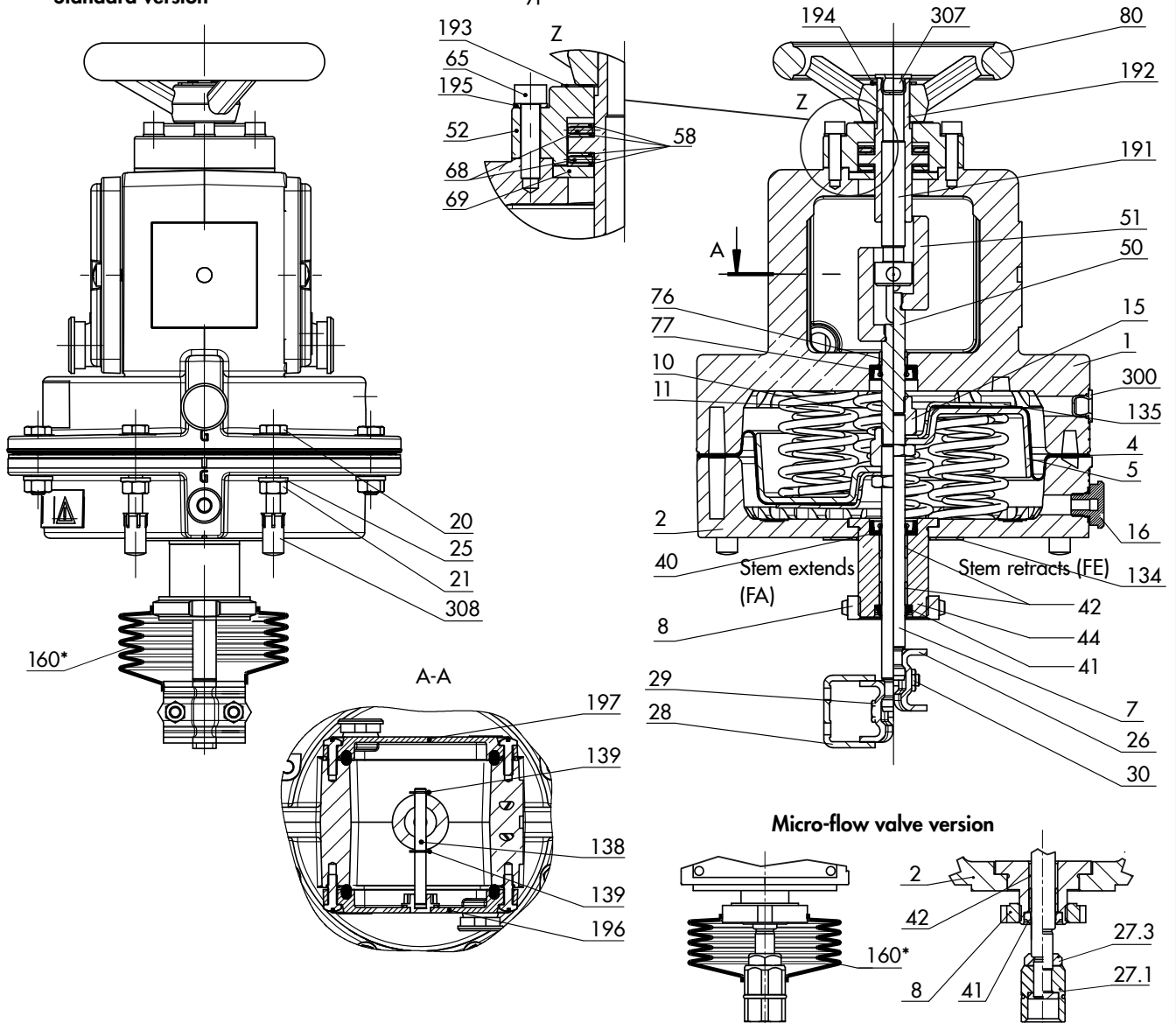
Edition November 2020

Spare Parts List

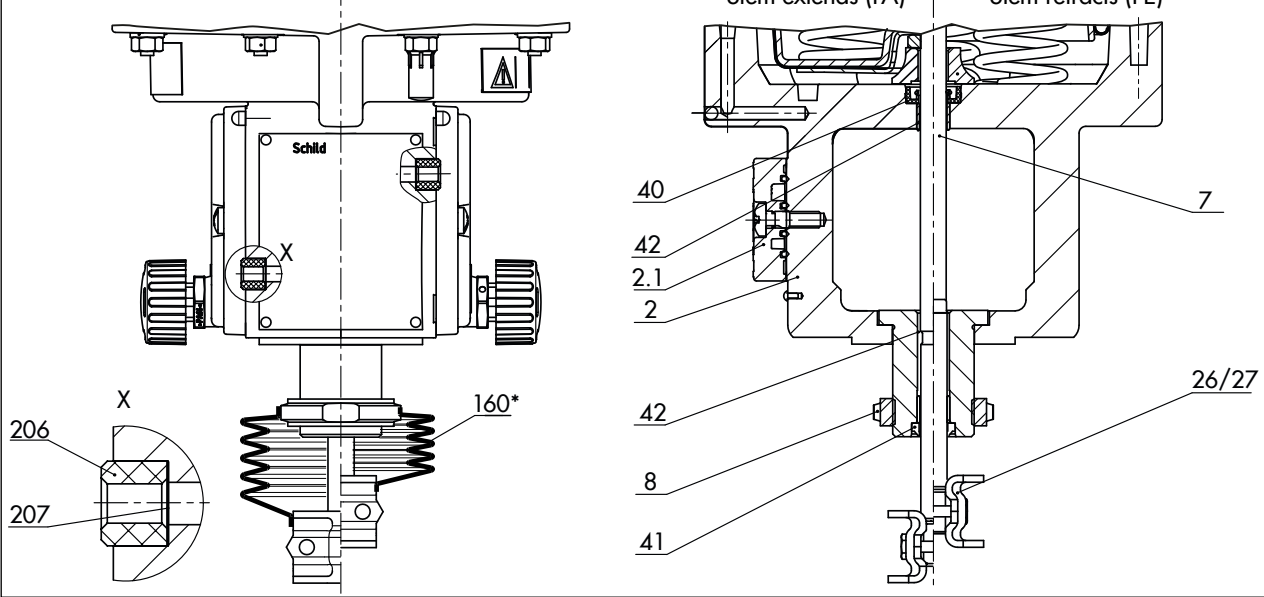
EL 8310-1 EN

Standard version

Type 3271



Type 3277



Spare part no.	Qty.	Filled in by SAMSON: material no.
1		
2		
2.1		
4 Diaphragm		
5		
7		
8		
10		
11		
15 Collar nut		
16		
20		
21		
25		
26		
27		
27.1		
27.3		
28		
29		
30		
40 Radial shaft seal		
41 Wiper ring		
42 Dry bearing		
44		
50		
51		
52		
58 Sliding washer		
65		
68 Axial needle seal		
69		
76		
77		
80		

Spare part no.	Qty.	Filled in by SAMSON: material no.
134		
135		
138		
139		
160* Dust shield (option)		
191		
192		
193		
194		
195		
196		
197		
206 Seal		
207 Filter		
300		
307		
308		

1) Type 3277 only

2) Version for micro-flow valve only

Specifications subject to change without notice
