

T 3980 EN

Type 7126 Feedwater System For Type 7121 Electric Steam Generator

Application

Type 7126 Feedwater System for Type 7121 Electric Steam Generator

The Type 7126 Feedwater System is an optional accessory for use with the Type 7121 Electric Steam Generator.

Special features

- To increase the upstream water pressure when the water pressure in the system is too low or when no fixed water supply exists.
- Plug-and-play solution
- Little installation work required
- For mobile use
- Compact design
- Rugged

Versions

Type 7126 · Feedwater system for Type 7121 Electric Steam Generator

Integrated connections:

- Inlet for feedwater and outlet for condensate
- Overflow with connection to public drainage system

Accessories:

- Type 7123 Movable Base ▶ T 3978
- Type 7125 Mobile Blowdown Vessel ▶ T 3979

Fields of application

The Type 7126 Feedwater System ensures reliable and efficient operation of the Type 7121 Electric Steam Generator.

Water pressure too low

We recommend using the Type 7126 Feedwater System if the upstream water pressure is not at least 1 bar higher than the maximum operating pressure.

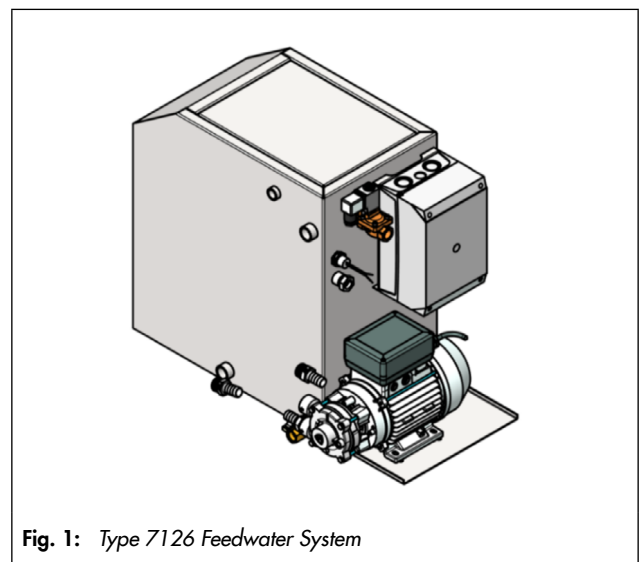


Fig. 1: Type 7126 Feedwater System

Operation without water supply

The Type 7126 Feedwater System must be used when the Type 7121 Electric Steam Generator is operated without a constant water supply. The water can be replenished manually through an opening in the cover.

Table 1: Technical data for Type 7126

Filling	Manual or automatic
Pump pressure	Max. 10 bar
Water temperature	Max. 80 °C
Filling amount	Automatic mode Manual mode
	Approx. 50 l Approx. 70 l until overflow
Electrical connection	400 VAC; three phase
Control signal from steam generator	24 V DC
Materials	Tank Valves and pumps
	Stainless steel
Dead weight	Approx. 35 kg

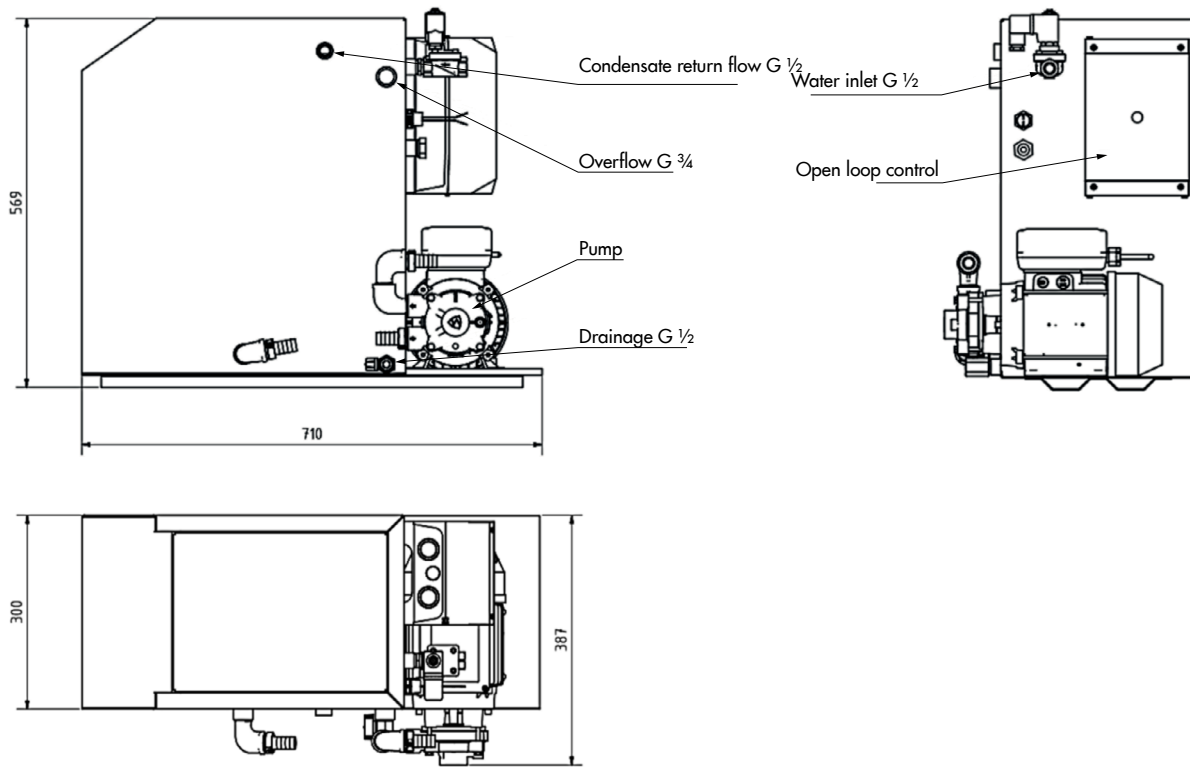


Fig. 2: Dimensions of Type 7126 Feedwater System · All dimensions in mm



RFQ Form for Type 7126 Feedwater System

Customer data		
Company		
Address		
Name		
Phone number		
E-mail		
Send your inquiry to your regional SAMSON contact or e-mail it to ► systems-de@samsongroup.com.		
Type		
Mobile electric steam generator	Type 7121	
Accessories		
Type 7123 Movable Base	Yes	No
Type 7125 Mobile Blowdown Vessel	Yes	No
Notes		

