

## T 5875 EN

### Series 240/250

**Type 3241/3375 Electric Control Valve; Type 3241 Globe Valve**

**Type 3244/3375 Electric Control Valve; Type 3244 Three-way Valve**

**Type 3251/3375 Electric Control Valve; Type 3251 Globe Valve**

**Type 3256/3375 Electric Control Valve; Type 3256 Angle Valve**



### Application

Versatile control valves for industrial applications as well as for heating, ventilation and air-conditioning systems

DN 15 to 150 · PN 16 to 40 · Temperatures from -196 to +450 °C

Type 3241 and Type 3251 **Globe Valves** with Type 3375 Electric Actuators

- Type 3241 Globe Valve, refer to Data Sheet ▶ T 8015
- Type 3251 Globe Valve, refer to Data Sheet ▶ T 8051

Type 3244 **Three-way Valve** with Type 3375 Electric Actuator

- Type 3244 Three-way Valve, see Data Sheet ▶ T 8026

Type 3256 **Angle Valve** with Type 3375 Electric Actuator

- Type 3256 Angle Valve, refer to Data Sheet ▶ T 8065

The Type 3375 Electric Actuator is available in various versions (for details, refer to Data Sheet ▶ T 8332):

- With additional electrical equipment (limit contacts, resistance transmitter, positioner)

### Also available:

- Type 3241 Globe Valve with other electric actuators, see Data Sheets ▶ T 5874, ▶ T 8340 and ▶ T 8331
- Type 3244 Three-way Valve with other electric actuators, see Data Sheets ▶ T 5874, ▶ T 8340 and ▶ T 8331
- Pneumatic actuators, see Data Sheet ▶ T 8015
- Versions tested according to DIN EN 14597, see Data Sheet ▶ T 5871

### Installation

The control valves can be installed in any desired position except with the actuator suspended downwards. The actuator is attached to the yoke with a fastening nut.

### Conformity

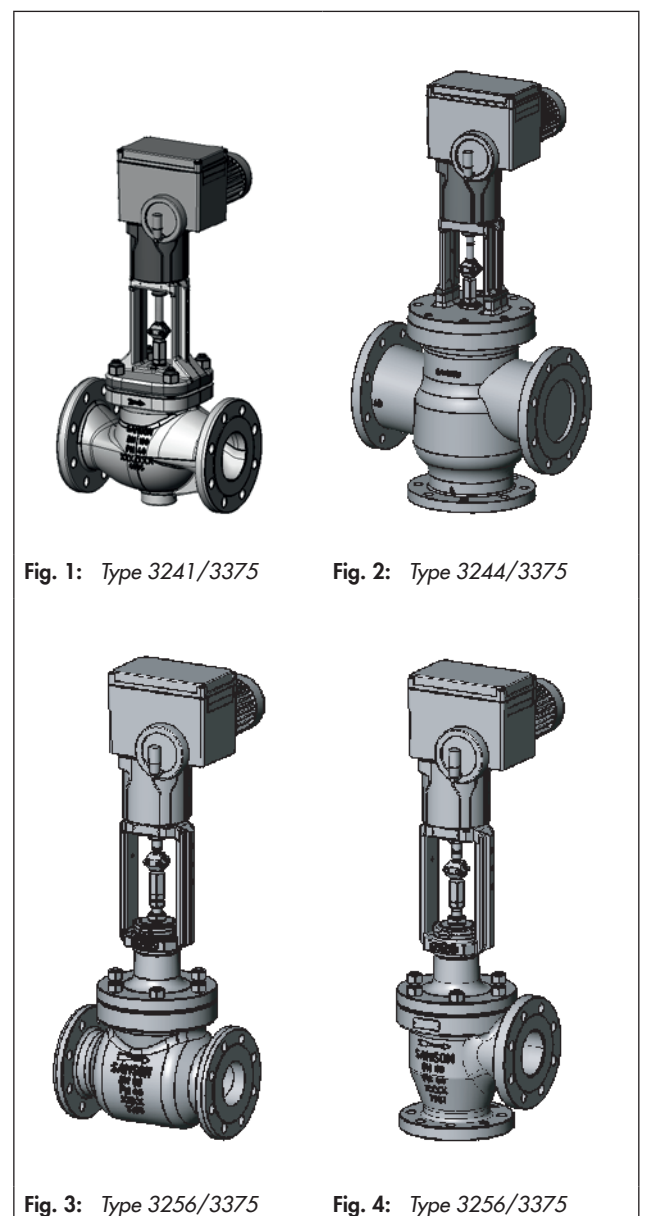


Fig. 1: Type 3241/3375

Fig. 2: Type 3244/3375

Fig. 3: Type 3256/3375

Fig. 4: Type 3256/3375

### Ordering text

- Electric control valve · Type 3241/3375, Type 3244/3375, Type 3251/3375 or Type 3256/3375
- DN ..., body material, PN ...
- For Type 3244 Valve: mixing or diverting valve
- Type 3375 Actuator:  
Power supply of version with three-step signal:  
230 V/50 or 60 Hz  
Supply voltage for version with positioner:  
230 V/50 or 60 Hz
- Optionally, special version

**Table 1:** Permissible differential pressures  $\Delta p$  in bar ( $p_2 = 0$  bar)

**Table 1.1:** Type 3241/3375 without pressure balancing

$K_{VS}$ coefficient		100	160	200	260
Seat $\varnothing$	mm	80	100	110	130
Travel	mm	30			
DN					
100			13.5		
125			13.5	11.1	
150		21.4		13.5	7.8

**Table 1.2:** Type 3244/3375

#### Mixing valve

$K_{VS}$ coefficient		100	140	160	200	300
Seat $\varnothing$	mm	80	90	100	110	130
Travel	mm	30				
DN						
100		21		13		
125			16.5		11	
150					11	7.8

#### Diverting valve

- Direction of flow AB  $\Rightarrow$  A with maximum  $K_{VS}$
- Direction of flow AB  $\Rightarrow$  B with reduced  $K_{VS}$

$K_{VS}$ coefficient		160/100		200/140		300/200	
Seat $\varnothing$	mm	100/80		110/90		130/110	
Travel	mm	30					
DN							
100		13/21					
125				11/16.5			
150						7.8/11	

**Table 1.3:** Type 3251/3375 and Type 3256/3375

$K_{VS}$ coefficient		0.1 to 1.0	1.6 to 2.5	4	6.3 ... 10	16	25	40	63	100	160	
Seat $\varnothing$	mm	6	12	24	24	31	38	50	63	80	100	
Travel	mm	15						30				
DN												
15		400	400	235								
25		400	400	235	235							
40		400	400	235	325	140	90					
50				225	225	130	85	50				
80				225	225	130	85	50	33	20		
100							85	50	33	20	12	

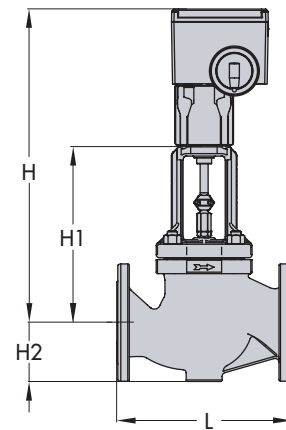
**Table 2: Dimensions and weights**

**Table 2.1: Type 3241/3375**

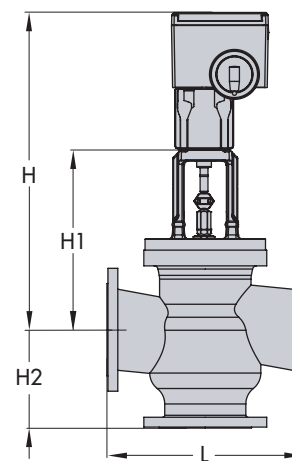
Valve size	DN	100	125	150
Length L	mm	350	400	480
Height H1	mm	350	363	390
Height H2	mm	118	144	175
Height H	mm	627	640	667
Weight	kg (approx.)	54	92	132

**Table 2.2: Type 3244/3375**

Valve size	DN	100	125	150
Length L	mm	350	400	480
Height H1	mm	360	375	375
Height H2	mm	150	200	210
Height H	mm	637	652	652
Weight	kg (approx.)	61	107	147



Type 3241/3375



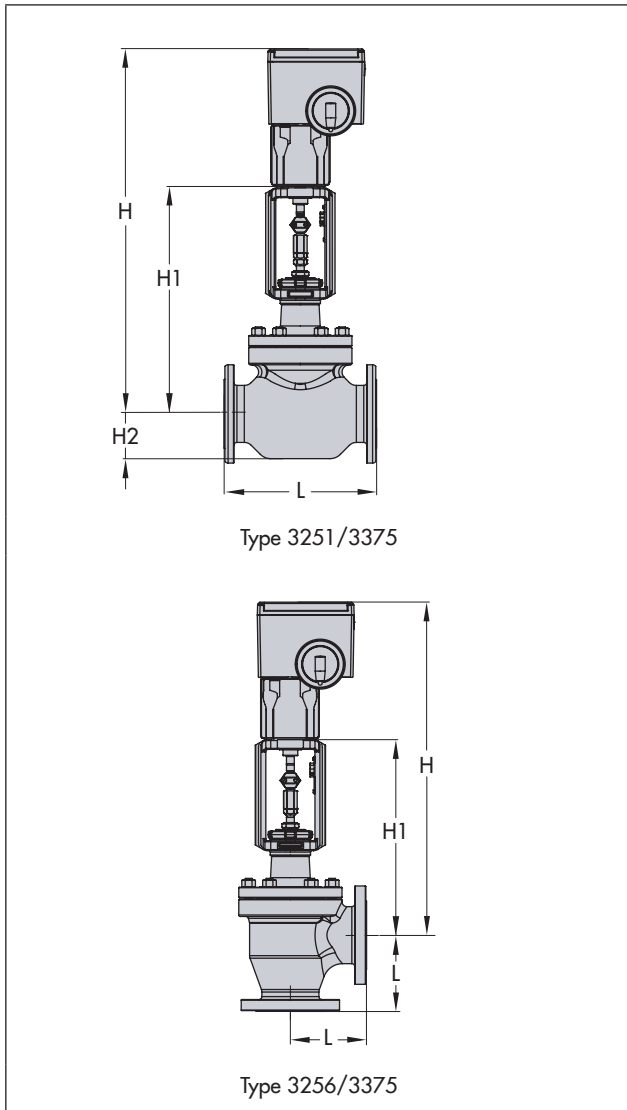
Type 3244/3375

**Table 2.3:** Type 3251/3375

Valve size	DN	15	25	40	50	80	100
Length L	mm	130	160	200	230	310	350
Height H1	mm	392	392	404	457	462	482
Height H2	mm	50	60	80	90	100	160
Height H	mm	669	669	681	734	739	759
Weight	kg (approx.)	27.5	29.5	33.5	50	71	90

**Table 2.4:** Type 3256/3375

Valve size	DN	15	25	40	50	80	100
Length L	mm	90	100	115	125	155	175
Height H1	mm	374	369	369	415	400	410
Height H	mm	651	646	646	692	677	687
Weight	kg (approx.)	30	33	40	57	80	97



Associated Data Sheet for  
electric actuator

► T 8331