

T 8066 EN

Series 250 · Type 3256-1 and Type 3256-7 Pneumatic Control Valves

Type 3256 Angle Valve · ANSI version



Application

Control valve for process engineering applications with high industrial requirements

Valve size	NPS ½ to 20
Pressure rating	Class 150 to 2500
Temperatures	-325 to +1022 °F (-196 to +550 °C)

Type 3256 Angle Valve with

- Type 3271 Pneumatic Actuator (Type 3256-1 Control Valve)
- Type 3277 Pneumatic Actuator (Type 3256-7 Control Valve) for integral positioner attachment

Valve body made of

- Cast steel
- Cast stainless steel, high-temperature cast steel or cast cold-resisting steel
- Special materials

Low-noise valve plug

- Metal seal
- Soft seal up to Class 300
- High-performance metal seal
- Balanced to handle high differential pressures

The control valves, designed according to the modular assembly principle, can be equipped with various accessories: Positioners, limit switches, solenoid valves, and other accessories according to IEC 60534-6 and NAMUR recommendation. Details in Information Sheet ▶ T 8350.

Versions

Standard version with PTFE packing for temperatures from 14 to 428 °F (-10 to +220 °C) or with adjustable high-temperature packing from 14 to 662 °F (-10 to +350 °C), valve size NPS ½ to 20, pressure rating Class 150 to 2500 (see Table 1)

- **Type 3256-1** (Fig. 1) · Type 3256 Valve and Type 3271 Actuator with 350 to 2800 cm² actuator area (see Data Sheets ▶ T 8310-1, ▶ T 8310-2, and ▶ T 8310-3)
- **Type 3256-7** · Type 3256 Valve and Type 3277 Pneumatic Actuator with 350 to 750v2 cm² actuator area, for integral positioner attachment (see Data Sheet ▶ T 8310-1)



Fig. 1: Type 3256-1 Control Valve with Type 3271 Pneumatic Actuator, positioner and solenoid valve

Further versions

- **Welding ends or welding-neck ends** according to ANSI B16.25
- **Flow divider or AC-1/AC-2/AC-3 Trim** for noise reduction (see Data Sheets ▶ T 8081, ▶ T 8082, and ▶ T 8083)
- **Valve plug with pressure balancing** · See Table 3
- **Perforated plug** · See Data Sheet ▶ T 8086
- **Ceramic or carbide trim** · See Data Sheet ▶ T 8071
- **Special version for flashing service**

- **Insulating section or bellows seal** · See Technical data
- **Heating jacket** · Details on request
- **Additional handwheel** · See Data Sheet ▶ T 8310-1
- **DIN version** · DN 15 to 500, PN 16 to 400, see Data Sheet ▶ T 8065
- Type 3256 Valve **with Type 3273 Hand-operated Actuator** · For valves with max. 30 mm rated travel and side-mounted handwheel for travel > 30 mm · See Data Sheet ▶ T 8312
- **Type 3256-2 Electric Control Valve** · Details on request

Principle of operation

The medium flows through the valve in the direction indicated by the arrow. The valve plug determines the cross-sectional area of flow. The version with bellows seal (Fig. 3) is fitted with a test connection to monitor the stainless steel bellows.

The valves can be equipped with a flow divider (▶ T 8081) for noise reduction.

Pressure balancing must be used when high pressures or differential pressures act on the plug (Fig. 4).

Fail-safe position

Depending on how the springs are arranged in the pneumatic actuator (see Data Sheets ▶ T 8310-1, ▶ T 8310-2, and ▶ T 8310-3), the valve has two different fail-safe positions effective upon air supply failure.

- **Actuator stem extends (fail-close)**
The valve closes when the supply air fails.
- **Actuator stem retracts (fail-open)**
The valve opens when the supply air fails.

Differential pressures

The permissible differential pressures can be found in the Information Sheet ▶ T 8000-4.

Note: Fig. 2 to Fig. 5 show configuration examples.

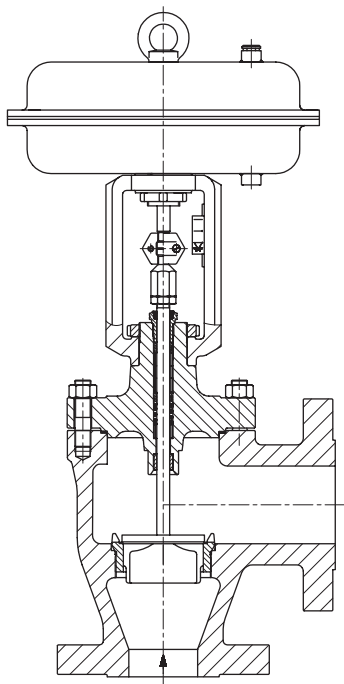


Fig. 2: Type 3256-1 Control Valve with Type 3271 Actuator

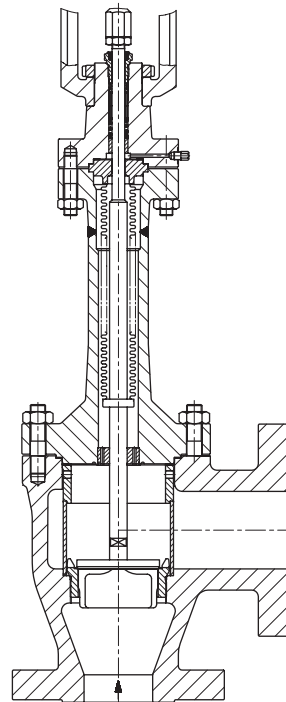


Fig. 3: Type 3256 Valve with bellows seal and flow divider ST 1

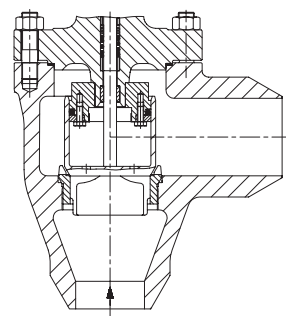


Fig. 4: Type 3256 Valve with balanced plug

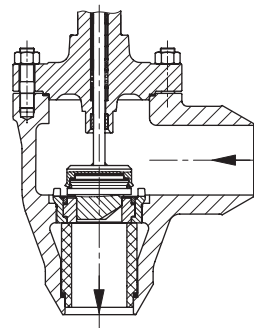



Fig. 5: Type 3256 Valve with ceramic trim and ceramic anti-wear pipe

Table 1: Technical data for Type 3256

Material		Cast steel A216 WCC	Cast steel A217 WC6	Cast stainless steel A351 CF8M
Valve size and pressure rating		NPS ½ to 12 in Class 150 to 2500 NPS 16 to 20 on request		
Type of connection	Flanges	All ANSI versions		
	Welding ends	According to ANSI B16.25		
Seat-plug seal		Metal seal · Soft seal · High-performance metal seal		
Characteristic		Equal percentage · Linear · Quick opening (▶ T 8000-3)		
Rangeability		50:1		
Compliance				
Temperature ranges in °F (°C) · Permissible operating pressures according to pressure-temperature diagrams (see Information Sheet ▶ T 8000-2)				
Body without insulating section		14 to 428 °F (-10 to 220 °C) · Up to 660 °F (up to 350 °C) with high-temperature packing		
Body with insulating section or bellows seal		-20 to +800 °F (-29 to +427 °C)	-20 to +932 °F (-29 to +500 °C)	-325 to +1022 °F (-196 to +550 °C)
Valve plug ¹⁾	Standard	Metal seal	-325 to +1022 °F (-196 to +550 °C) ²⁾	
		Soft seal	-325 to +428 °F (-196 to +220 °C) ²⁾	
	Balanced with PTFE ring	-58 to +428 °F (-50 to +220 °C) ³⁾		
	Balanced with graphite ring	428 to 932 °F (220 to +500 °C) ⁴⁾		
Leakage class according to ANSI/FCI 70-2				
Valve plug	Standard	Metal seal	Standard: IV · High-performance metal seal: V	
		Soft seal	VI	
	Balanced, metal seal	With PTFE ring (standard): IV · High-performance metal seal: V		
		With graphite ring: IV		

¹⁾ Only in combination with suitable body material

²⁾ Note: The temperature limits are not directly converted temperatures.

³⁾ Lower temperatures on request

⁴⁾ Higher temperatures on request

Table 2: Materials

Standard version		Cast steel A216 WCC	Cast steel A217 WC6	Cast stainless steel A351 CF8M
Body ¹⁾				
Valve bonnet		A216 WCC/A 105	A217 WC6/A182 F12 Cl. 2	A351 CG8M/A182 F316
Seat and plug ²⁾	Metal seal	410-2/1.4008		316 L/CF3M
	Soft seal	PTFE with 15 % glass fiber		
Seal ring for	Pressure balancing	PTFE with carbon · Graphite		
		1.4112		2.4610
Guide bushings				
Packing ³⁾		V-ring packing: PTFE with carbon, spring: 302 or high-temperature packing		
Body gasket		Graphite seal on metal core		
Insulating section		A216 WCC/A 105	A217 WC6/A182 F12 Cl. 2	A351 CF8M/A 182 F316
Metal bellows seal				
Intermediate piece		A216 WCC/A 105	A217 WC6/A182 F12 Cl. 2	A351 CF8M/A 182 F316
Metal bellows		1.4571 ⁴⁾		
Heating jacket		A240 316L		

¹⁾ Other materials (e.g. for high-temperatures or low temperatures) as well as special materials for applications with sea water: 1.4538, duplex 1.4470, nickel-based alloy 9.4610, see pressure-temperature diagrams in Information Sheet ▶ T 8000-2

²⁾ Seats and metal-seated plug also with Stellite® facing or plug made of solid Stellite® available (up to max. C_v 735/K_{v5} 630)

³⁾ Other packings on request (▶ T 8000-1)

⁴⁾ Other bellows material on request

Table 3: Available C_v/K_{vs} coefficients · Versions highlighted in gray also available with balanced plug

Terms for control valve sizing according to IEC 60534, Parts 2-1 and 2-2: $F_L = 0.95$, $X_T = 0.75$

Table 3.1: Overview with flow divider ST 1 (C_{v1}/K_{vs1}), ST 2 (C_{v2}/K_{vs2}) and ST 3 (C_{v3}/K_{vs3})

C_v	0.12	0.75	1.2	2	3	5	7.5	12	20	30	47	75	120	190	290	420	735	1150	1730																								
	0.2																																										
K_{vs}	0.1	0.63	1.0	1.6	2.5	4	6.3	10	16	25	40	63	100	160	250	360	630	1000	1500																								
	0.16																																										
	0.25																																										
	0.4																																										
C_{v1}		-			1.7	2.6	4.2	7	10.5	17	26	42	67	105	170	265	375	650	1040	1560																							
K_{vs1}		-			1.45	2.2	3.6	5.7	9	14.5	22	36	57	90	144	225	320	560	900	1350																							
C_{v2}		-				3.7	6.0	9.5	15	23	37	60	95	145	230	335	580	928	1392																								
K_{vs2}		-				3.2	5.0	8	13.0	20	32	50	80	125	200	290	500	800	1200																								
C_{v3}		-					3.5	5.6	9	14	23	35	55	90	140	220	315	560	880																								
K_{vs3}		-					3.0	4.8	7.5	12	20	30	47	75	120	190	270	480	750	-																							
Seat	in	0.24			0.47			0.94			1.22			1.5			1.97			2.48			3.15			3.94			4.92			5.91			7.87			9.84			11.81		
Ø	mm	6			12			24			31			38			50			63			80			100			125			150			200			250			300		
Rated travel	in	0.59															1.18			2.36			4.72																				
	mm	15															30			60			120																				

Table 3.2: Versions without flow divider · Class 150 to 2500

C_v	0.12	0.75	1.2	2	3	5	7.5	12	20	30	47	75	120	190	290	420	735	1150	1730
	0.2																		
K_{vs}	0.1	0.63	1.0	1.6	2.5	4	6.3	10	16	25	40	63	100	160	250	360	630	1000	1500
	0.16																		
	0.25																		
	0.4																		
NPS	DN																		
1/2	15	•	•	•	•	•	•	•	•	•	•	•	•	•	•	•	•	•	•
1	25	•	•	•	•	•	•	•	•	•	•	•	•	•	•	•	•	•	•
1 1/2	40	•	•	•	•	•	•	•	•	• ¹⁾	•	•	•	•	•	•	•	•	•
2	50					•	•	•	•	•	• ¹⁾	•	•	•	•	•	•	•	•
3	80					•	•	•	•	•	•	•	• ¹⁾	•	•	•	•	•	•
4	100									•	•	•	•	• ¹⁾	•	•	•	•	•
6	150											•	•	•	•	• ¹⁾	•	•	•
8	200												•	•	• ²⁾	•	• ¹⁾	•	•
10	250													•	•	• ²⁾	•	•	• ¹⁾
12	300														•	• ³⁾	•	•	• ¹⁾
1)		Reduced C_v/K_{vs} coefficients with Class 900 to 2500:		C_v	4.2	-	10.5	-	26	42	-	105	170	-	375	650	1040	1560	
				K_{vs}	3.6	-	9	-	22	36	-	90	144	-	320	560	900	1350	

- 2) Pressure balancing only for \geq Class 600
- 3) Pressure balancing only for Class 600/900

Table 3.3: Versions with flow divider ST 1 · Class 150 to 900 ¹⁾

C_{v1}	K_{vs1}	-																	
		1.7	2.6	4.2	7	10.5	17	26	42	67	105	170	265	375	650	1040	1560		
NPS	DN																		
1/2	15																		
1	25			•	•	•	•	•											
1 1/2	40				•	•	•	•	•	•									
2	50					•	•	•	•	•	•								
3	80						•	•	•	•	•	•							
4	100									•	•	•	•						
6	150											•	•	•	•				
8	200												•	•	• ²⁾	•	•	•	•
10	250													•	•	• ²⁾	•	•	•
12	300														•	• ³⁾	•	•	•

- 1) Class 1500 to 2500 with flow divider ST 1 and pressure balancing on request
- 2) Pressure balancing only for \geq Class 600
- 3) Pressure balancing only for Class 600/900

Table 3.1: Overview with flow divider ST 1 (C_V1/K_{VS1}), ST 2 (C_V2/K_{VS2}) and ST 3 (C_V3/K_{VS3})

C_V	0.12	0.75	1.2	2	3	5	7.5	12	20	30	47	75	120	190	290	420	735	1150	1730
	0.2																		
K_{VS}	0.1	0.63	1.0	1.6	2.5	4	6.3	10	16	25	40	63	100	160	250	360	630	1000	1500
	0.16																		
	0.3																		
	0.5																		
C_V1	–			1.7	2.6	4.2	7	10.5	17	26	42	67	105	170	265	375	650	1040	1560
K_{VS1}	–			1.45	2.2	3.6	5.7	9	14.5	22	36	57	90	144	225	320	560	900	1350
C_V2	–					3.7	6.0	9.5	15	23	37	60	95	145	230	335	580	928	1392
K_{VS2}	–					3.2	5.0	8	13.0	20	32	50	80	125	200	290	500	800	1200
C_V3	–					3.5	5.6	9	14	23	35	55	90	140	220	315	560	880	–
K_{VS3}	–					3.0	4.8	7.5	12	20	30	47	75	120	190	270	480	750	–
Seat	in	0.24		0.47		0.94			1.22	1.5	1.97	2.48	3.15	3.94	4.92	5.91	7.87	9.84	11.81
\varnothing	mm	6		12		24			31	38	50	63	80	100	125	150	200	250	300
Rated travel	in	0.59										1.18			2.36		4.72		
	mm	15										30			60		120		

Table 3.4: Versions with flow divider ST 2 · Class 150 to 900 ¹⁾

C_V2		–															
K_{VS2}		3.7	6.0	9.5	15	23	37	60	95	145	230	335	580	928	1392		
NPS	DN	3.2	5.0	8	13	20	32	50	80	125	200	290	500	800	1200		
2	50					•	•	•	•	•	•						
3	80					•	•	•	•	•	•	•					
4	100							•	•	•	•	•					
6	150								•	•	•	•	•				
8	200									•	•	• ²⁾	•	•			
10	250										•	•	• ²⁾	•	•		
12	300											•	• ³⁾	•	•		

¹⁾ Class 1500 to 2500 with flow divider ST 2 and pressure balancing on request

²⁾ Pressure balancing only for \geq Class 600

³⁾ Pressure balancing only for Class 600/900

Table 3.5: Versions with flow divider ST 3 · Class 150 to 900 ¹⁾

C_V3		–															
K_{VS3}		3.5	5.6	9	14	23	35	55	90	140	220	315	560	880	–		
NPS	DN	3.0	4.8	7.5	12	20	30	47	75	120	190	270	480	750	–		
2 ¹⁾	50 ¹⁾					• ⁴⁾	• ⁴⁾	• ⁴⁾									
3	80					• ⁴⁾	• ⁴⁾	• ⁴⁾	• ⁴⁾	•							
4	100							• ⁴⁾	•	•							
6	150								•	•	•	•					
8	200									•	•	• ²⁾	•				
10	250										•	• ²⁾	•	•			
12	300											•	• ³⁾	•	•		

¹⁾ Class 1500 to 2500 with flow divider ST 3 and pressure balancing on request

²⁾ Pressure balancing only for \geq Class 600

³⁾ Pressure balancing only for Class 600/900

⁴⁾ Version not possible in combination with a bellows seal

Table 4: Dimensions in inches and mm for standard versions of Type 3256-1 and Type 3256-7 Pneumatic Control Valves

Table 4.1: Type 3256 Valve

Valve	NPS	DN	½	1	1½	2	3	4	6	8	10	12			
			15	25	40	50	80	100	150	200	250	300			
Length L	Class 150	in	3.62	3.62	4.37	5.00	5.88	6.94	8.88	10.69	On request				
		mm	92	92	111	127	149	176	225	272					
	Class 300	in	3.75	3.88	4.62	5.25	6.25	7.25	9.31	11.19					
		mm	95	99	117	133	159	184	236	284					
	Class 600	in	3.98	4.12	4.94	5.62	6.62	7.75	10.00	12.00					
		mm	101	105	125	143	168	197	254	305					
	Class 900	in	4.25	5.00	6.00	7.25	7.50	9.00	12.00	14.50					
		mm	108	127	152	184	190	229	305	368					
	Class 1500	in	4.25	5.00	6.00	7.25	9.25	10.75	13.88	16.38					
		mm	108	127	152	184	235	273	353	416					
	Class 2500	in	5.19	6.06	7.56	8.88	11.38	13.25	18.00	20.12					
		mm	132	154	192	226	289	337	457	511					
Height H4	Class 150 to 600	in	5.28	5.08	5.08	6.89	6.30	6.69	9.13	On request					
		mm	134	129	129	175	160	170	210						
	Class 900	in	6.89	6.69	6.69	8.70	6.30	6.69	9.13						
		mm	175	170	170	221	160	170	210						
	Class 1500 to 2500	in	6.89	6.69	6.69	8.70	9.53	11.65	14.61				21.54	On request	
		mm	175	170	170	221	242	296	371				547		
H8 for actuator	350 cm ²	in	9.45	9.45	9.45	9.45	9.45	9.45	-						
		mm	240	240	240	240	240	240							
	355v2 cm ²	in	9.45	9.45	9.45	9.45	9.45	9.45	16.46	-					
		mm	240	240	240	240	240	240	418						
	700 cm ²	in	9.45	9.45	9.45	9.45	9.45	9.45	16.46	16.46	16.46	-			
		mm	240	240	240	240	240	240	418	418	418				
	750v2 cm ²	in	9.45	9.45	9.45	9.45	9.45	9.45	16.46	16.46	16.46	-			
		mm	240	240	240	240	240	240	418	418	418				
	1000 cm ²	in	-				11.61	11.61	11.61	16.46	16.46	On request			
		mm					295	295	295	418	418				
	1400-60 cm ²	in	-				11.61	11.61	11.61	16.46	16.46	On request			
		mm					295	295	295	418	418				
	1400-120 cm ²	in	-				18.90	18.90	18.90	19.80	19.80	19.80	25.60		
		mm					480	480	480	503	503	503 ¹⁾	650		
2800 cm ²	in	-				18.90	18.90	18.90	19.80	19.80	19.80	25.60			
	mm					480	480	480	503	503	503 ¹⁾	650			
2x2800 cm ²	in	-				18.90	18.90	18.90	19.80	19.80	19.80	25.60			
	mm					480	480	480	503	503	503 ¹⁾	650			

¹⁾ H8 = 650 mm with 250 mm seat bore

Table 4.2: Types 3271 and 3277 Pneumatic Actuators

Actuator area	cm ²	350	355v2	700	750v2	1000	1400-60	1400-120	2800	2 x 2800
Diaphragm ØD	in	11.02	11.02	15.35	15.51	18.19	20.87	21.02	30.32	30.32
	mm	280	280	390	394	462	530	534	770	770
H ¹⁾	in	3.23	4.76	7.83	9.29	15.87	13.27	23.54	28.07	47.76
	mm	82	121	199	236	403	337	598	713	1213
H3 ²⁾	in	4.33	4.33	7.48	7.48	24.02	24.02	25.59	25.59	25.59
	mm	110	110	190	190	610	610	650	650	650
H5	Type 3277 in	3.98	3.98	3.98	3.98	-	-	-	-	-
	Type 3277 mm	101	101	101	101	-	-	-	-	-
Thread	Type 3271	M30 x 1.5				M60 x 1.5		M100 x 2		
	Type 3277	M30 x 1.5				-	-	-	-	-
α	Type 3271	G 3/8 (3/8 NPT)	G 3/8 (3/8 NPT)	G 3/8 (3/8 NPT)	G 3/8 (3/8 NPT)	G 3/4 (3/4 NPT)	G 3/4 (3/4 NPT)	G 1 (1 NPT)	G 1 (1 NPT)	G 1 (1 NPT)
α2	Type 3277	G 3/8	G 3/8	G 3/8	G 3/8	-	-	-	-	-

1) Height including lifting eyelet or female thread and eyebolt according to DIN 580. Height of the swivel lifting hook may differ. Actuators up to 350v2 cm² without lifting eyelet or female thread

2) Minimum clearance required to remove the actuator

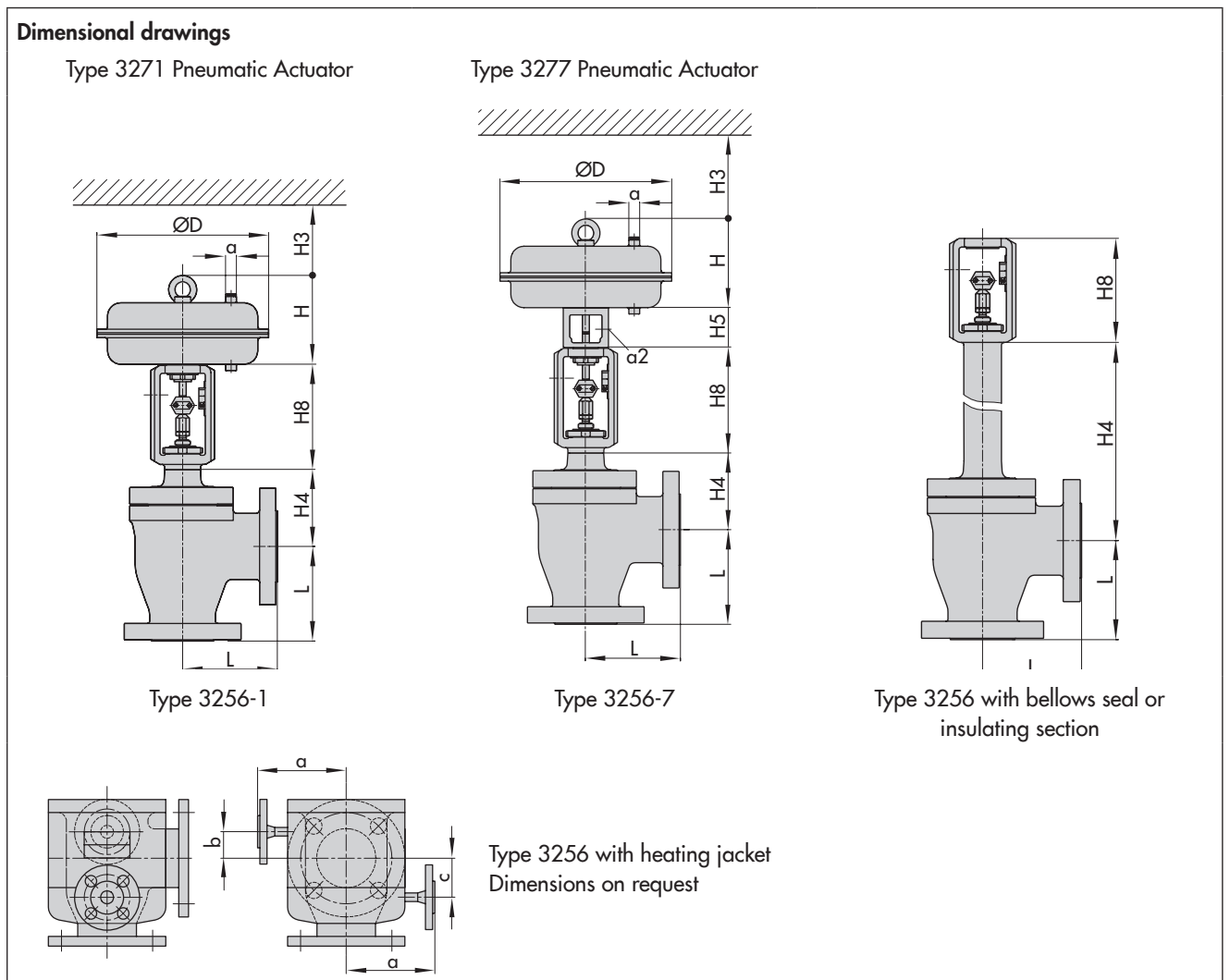


Table 5: Weights in lbs and kg for standard versions of Type 3256-1 and Type 3256-7 Pneumatic Control Valves

Table 5.1: Type 3256 Valve

Valve		NPS	½	1	1½	2	3	4	6	8	10	12		
		DN	15	25	40	50	80	100	150	200	250	300		
Valve without actuator (approx.)	Class 150	lbs	26	33	49	77	128	165	419	On request				
		kg	12	15	22	35	58	75	190					
	Class 300	lbs	On request											
		kg	On request											
	Class 600	lbs	On request				128	203	On request		On request			
		kg	On request				58	92						
	Class 900	lbs	On request	84	126	201	243							
		kg		38	57	91	110							
	Class 1500 to 2500	lbs	On request											
		kg	On request											

Table 5.2: Types 3271 and 3277 Pneumatic Actuators

Actuator		cm ²	350	355v2	700	750v2	1000	1400-60	1400-120	2800	2x2800
Type 3271 (approx.)	Without handwheel	lbs	18	33	49	80	187	154	386	992	2094
		kg	8	15	22	36	85	70	175	450	950
	With handwheel	lbs	29	44	60	91	419	386	661 ¹⁾ / 937 ²⁾	1268 ¹⁾ / 1543 ²⁾	On request
		kg	13	20	27	41	190	175	300 ¹⁾ / 425 ²⁾	575 ¹⁾ / 700 ²⁾	
Type 3277 (approx.)	Without handwheel	lbs	26	42	57	88	-				
		kg	12	19	26	40					
	With handwheel	lbs	37	53	68	98					
		kg	17	24	31	45					

¹⁾ Side-mounted handwheel up to 80 mm travel

²⁾ Side-mounted handwheel above 80 mm travel

Table 6: Dimensions in inch and mm and weights in lbs and kg for Type 3256 Valve with insulating section · Without actuator

Valve size		NPS	½	1	1½	2	3	4	6	8	10	12		
		DN	15	25	40	50	80	100	150	200	250	300		
Height H4	Class 150 to 600	in	13.19	12.99	13.03	17.52	16.93	17.32	22.05	On request				
		mm	335	330	331	445	430	440	560					
	Class 900	in	14.57	14.41	14.41	19.13	16.93	17.32	22.05					
		mm	370	366	366	486	430	440	560					
	Class 1500 to 2500	in	14.57	14.41	14.41	19.13	19.69	21.5	28.23					
		mm	370	366	366	486	500	546	717					
Weight without actuator	Class 150/300	lbs	66	79	97	159	243	344	794	1411	On request			
		kg	30	36	44	72	110	156	360	640				
	Class 600	lbs	On request											
		kg	On request											
	Class 900	lbs	95	108	150	231	287	397	882	1609				
		kg	43	49	68	105	130	180	400	730				
	Class 1500 to 2500	lbs	On request											
		kg	On request											

Table 7: Dimensions in inch and mm and weights in lbs and kg for Type 3256 with bellows seal · Without actuator

Valve size		NPS	½	1	1½	2	3	4	6	8	10	12			
		DN	15	25	40	50	80	100	150	200	250	300			
		Travel													
Height H4	Class 150	in	0.59 to 2.36"	13.5	13.31	13.35	22.28	22.09	21.3	23.86	On request				
		mm		343	338	339	566	561	541	606					
	Class 300 to 900	in	1.5 to 60 mm	13.5	13.31	13.35	22.28	22.09	21.3	On request					
		mm		343	338	339	566	561	541						
	Class 1500	in	0.59	24.45	24.29	24.02	20.63	19.69	On request						
		mm	15	621	617	610	524	500	On request						
		in	1.18	-			20.63	19.69	On request						
		mm	30	-			524	500	On request						
		in	2.36	-						On req.					
		mm	60	-						On req.					
	Class 2500	in	0.59	24.45	24.29	24.02	On request								
		mm	15	621	617	610	On request								
		in	1.18	-			On request								
		mm	30	-			On request								
		in	2.36	-						On req.					
		mm	60	-						On req.					
	Class 150 to 300	in	1.18 to 4.72	On request											
		mm	30 to 120	On request											
	Class 600 to 900	in	1.18 to 2.36	On request											
		mm	30 to 60	On request											
Class 600	in	4.72	On request												
	mm	120	On request												

Valve size		NPS	½	1	1½	2	3	4	6	8	10	12
		DN	15	25	40	50	80	100	150	200	250	300
Weight without actuator	Class 150/300	lbs	On request						794	On request	On request	
		kg	On request						360			
	Class 600	lbs	66	79	97	159	243	344	794	1411		
		kg	30	36	44	72	110	156	360	640		
	Class 900	lbs	95	108	150	231	287	397	882	1609		
		kg	43	49	68	105	130	180	400	730		
	Class 1500 to 2500	lbs	On request									
		kg	On request									

Selection and sizing of the control valve

1. Calculate the C_v/K_v coefficient according to IEC 60534.
2. Select the valve size and C_v (K_{vs}) coefficient from Table 3.
3. Select the actuator and determine the permissible differential pressure from the Information Sheet ► T 8000-4.
4. Select the valve body material from Table 1 and Table 2 as well as from the pressure-temperature diagrams (see Information Sheet ► T 8000-2).
5. Select accessories from Table 1 and Table 2.

Ordering data

Valve size	NPS
Pressure rating	Class
Body material	According to Table 2
Bonnet	Standard bonnet, insulating section or bellows seal
Type of connection	Flanges/welding ends
Plug	Standard or balanced Soft seal, metal seal or high-performance metal seal
Characteristic	Equal percentage, linear or quick opening
Actuator	Type 3271 or Type 3277 (see Data Sheets ► T 8310-1, ► T 8310-2, and ► T 8310-3)
Fail-safe position	Fail-close or fail-open
Process medium	Density in lb/cu.ft or kg/m ³ and temperature in °F or °C
Flow rate	lbs/h or kg/h or cu.ft/min or m ³ /h in standard or operating state
Pressure	p_1 and p_2 in bar (absolute pressure p_{abs}), with minimum, normal, and maximum flow rate
Valve accessories	Positioner and/or limit switch

Associated Information Sheet ► T 8000-X

Associated Data Sheets for pneumatic actuators ► T 8310-1 to -3

Associated Mounting and Operating Instructions ► EB 8066

Note: The temperature limits for DIN and ANSI versions are not directly converted temperatures.