



## Rotary Plug Valve Type 62.7 with AT Actuator

DIN and ANSI Version

### Application:

Double eccentric control valve for process engineering and industrial applications.



	DIN	ANSI
<b>Valve size</b>	DN 25 to 200	NPS 1 to 8
<b>Pressure rating</b>	PN 10 to 40	Class 150 and 300
<b>Temperature Range for medium</b>	-10 to +220 °C	14 to 428 °F

### Fields of application

Especially suitable for:

- ➔ Control of clean liquid, gaseous and neutral media
- ➔ Water processing
- ➔ District heating, district cooling

Not suitable for: adhesive, highly viscous, dirty, solid, toxic and critical media.

### Features

Type 62.7 rotary plug valve with Type AT pneumatic piston actuator, single-acting (Fig. 1) and optionally with manual override (Fig. 2).

The control valves designed in the modular system can be equipped with various peripheral devices: Positioners, limit switches, solenoid valves and other accessories according to DIN EN 60534-6-1 and NAMUR recommendation.

### Valve body made of

- Cast carbon steel
- Cast stainless steel

### Seat version

- Metal sealing
- Soft sealing

### Temperature design

For ambient temperatures from -40 to +80 °C/  
-40 to +176 °F.

### Further versions

- Packing acc. ISO 15848 TA-Luft (German Clean Air Act)
- Different seat factors: F1 (100 %); F0,4 (40 %)
- Suitable for use up to SIL 2, with redundant circuitry up to SIL 3.

Plug & Play Valve  
Short delivery times

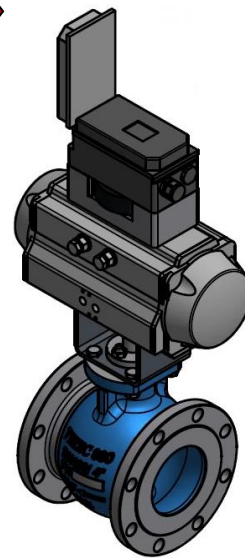


Fig. 1: Type 62.7/AT control valve

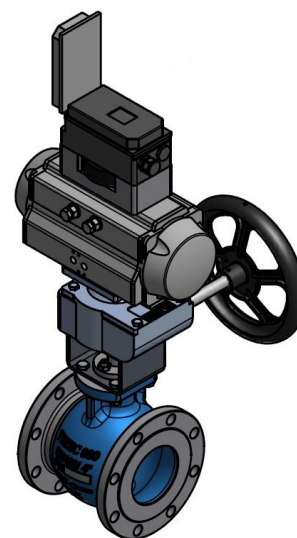


Fig. 2: Type 62.7/AT Control Valve with manual override

### Principle of operation

Rotating the plug of the valve in and out of the path of the flow determines the flow coefficient (Cv) of the valve, which is a function of the flow rate and pressure loss through the valve. This principle is used to control either flow rate or differential pressure, as desired.

The offset between the plug face and shaft center and the offset between the shaft center and valve centerline give the rotary plug valve its double eccentric (double offset) design (fig.3/4). When opening and closing the valve, this double eccentric design allows the plug to lift smoothly off the seat without any friction. This smooth opening also allows for stable control, even at small opening angles.

### Fail-safe Action

In combination with the Type AT actuators, the control valve has two fail-safe actions, which become effective when the piston is relieved of pressure or when the supply air fails.

- **FO = spring force opens** (fail open) → If the supply air fails, the valve is opened by the spring force of the actuator.
- **FC = spring force closes** (fail close) → If the supply air fails, the valve is closed by the spring force of the actuator.

### Flow direction

The rotary plug valve is used in one flow direction (Fig. 5):

- Flow to open (FTO)

### Installation

When installing the valve in the pipeline observe the direction of flow indicated by the arrow on the valve body (Fig. 5).

Type 62.7 closes clockwise and has an opening angle of 90°

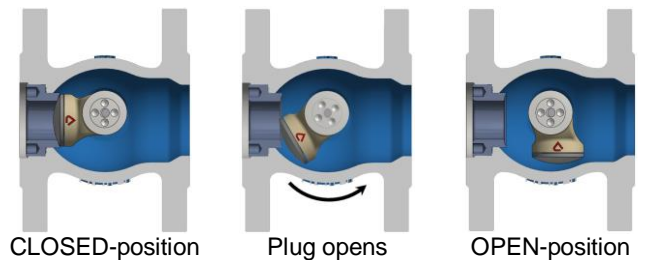


Fig. 3: Plug movement (rotation)

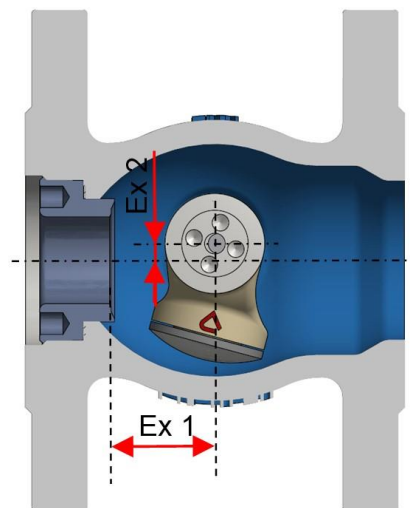


Fig. 4: Double eccentric design (acc. to VDI/VDE 3844)



Fig. 5: Marking the flow direction

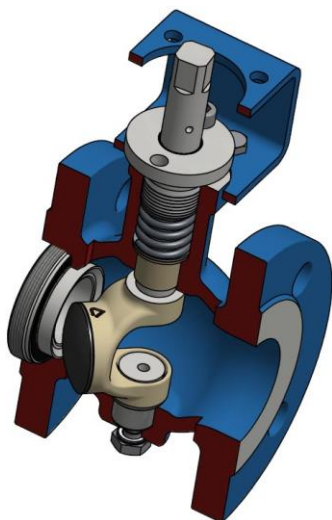



Fig. 6: Assembly drawing of Type 62.7 valve

**Table 1: Technical Data**

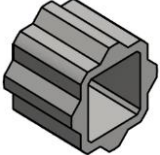
**Table 1.1: Technical Data • Valve 62.7**

Version	DIN	ANSI
Valve size	DN 25 to 200	NPS 1 to 8
Pressure rating	PN 10 / 16 / 25 / 40	CL 150 / 300
Overall length	EN 558, Table 2, Series 36	
Style	Flange	
Flange form	DIN EN 1092 B1	ASME B16.5
Seat-plug-sealing	Metal sealing · soft sealing	
Seat factor	F1 (100 %) · F0,4 (40 %)*	
Characteristic	Natural · equal percentage or linear (positioned characteristic)	
Rangeability	Up to 200:1	
Opening angle	90°	
Plug movement	Plug closes clockwise	
Flow Direction	 Flow to open (FTO)	
Permissible temperatures of the medium **	-10 to +220 °C	14 to 428 °F
Leakage class according to	DIN EN 60534-4	ANSI/FCI 70-2
	Metal sealing – leakage class IV · soft sealing leakage class VI	
Coating	Wet paint, colour RAL 1019 grey-beige	

\* Except nominal size DN 25, soft seat

\*\* Temperature ranges - permissible operating pressures → acc. to data sheet pressure-temperature diagrams ▶ TY005.000 (under construction)

**Table 1.2: Technical Data • Actuator AT (SC/SO) - Standard Version: Type A**

(AT) SC (fail-safe action CLOSE)	60	100	150	220	300	450	600	900	1200	2000
(AT) SO (fail-safe action OPEN)	60	100	150	220	300	450	600	900	1200	2000
Style	Pneumatic, single-acting piston rotary actuator									
Angle of rotation	90°									
Manual override	Manual gearbox									
Springs	4/4									
Supply air pressure	4 barg									
Flange connection (V/A)* DIN EN ISO 5211	F07	F07	F07	F10	F10	F10/F12	F10/F12	F10/F12	F10/F12	F12
Square connection (W/A)**	S12	S17	S17	S22	S22	S22	S22	S22	S22	S22
Adapter	12/17	-	-	-	-	22/27	22/27	22/27	22/27	22/27
										

\* V/A = Valve/Actuator; \*\* W/A = Shaft/Actuator

For further information see: [www.airtorque.com](http://www.airtorque.com)

**Table 2: Materials**

**Table 2.1: Materials • Valve**

Pos.	Part Designation	Materials		Drawing Valve Type 62.7
100	Body	1.0619/ A216WCC	1.4408 / A351CF8M	
204	Plug-body	1.4408		
205	Plug-cap	1.4404		
300	Shaft	1.4404		
500	Seat ring (metal or soft sealing)	1.4404 or 1.4404/PTFE		
657	Spring loaded packing	PTFE V-rings		
504	Gaskets	VA/Graphite		

Bild 7

**Table 2.2: Materials • Actuator**

Pos.	Part Designation	Materials	Drawing Actuator Type AT (SC, SO)
50	Body	Aluminium casting alloy	
17	Spring cartridge	Spring steel	
30	End cap	Anodized and coated die-cast aluminium alloy	
40	Piston	Anodized and coated die-cast aluminium alloy	
60	Drive shaft	Steel	

Bild 8

### Flow Characteristic • Kvs/Cv Values

The natural design characteristic can be modified to achieve a linear or equal percentage (logarithmic) characteristic using a positioner (Fig. 8).

The flow coefficient (Kvs/Cv) depends on the opening angle of the valve.

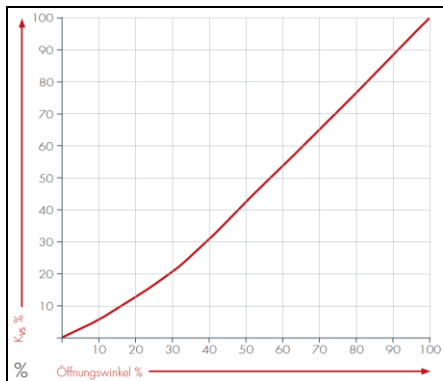


Fig. 8: Naturale (inherent) characteristic curve

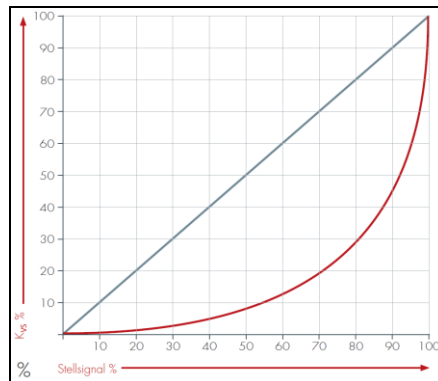


Fig. 9: linear/equal % (logarithmic) characteristic curve

Kvs/Cv values acc. to data sheet ► BN004.322

### Table 3: Differential Pressures

**Table 3.1:** Max. permissible differential pressures in bar • Springs 4/4 • Supply air pressure 4 barg

Actuator AT(SC/SO)			60	100	150	220	300	450	600	900	1200	2000
FA-Actuator			F07	F07	F07	F10	F10	F10/F12	F10/F12	F10/F12	F10/F12	F12
Adapter			12/17	-	-	-	-	22/27	22/27	22/27	22/27	22/27
Valve Type 62.7			Max. permissible differential pressures in bar									
DN	NPS	FA-Valve										
25	1	VF80	16	-	-	-	-	-	-	-	-	-
40	1½	VF80	-	16	-	-	-	-	-	-	-	-
50	2	VF80	-	8	16	-	-	-	-	-	-	-
80	3	VF85	-	-	-	11	16	-	-	-	-	-
100	4	F10	-	-	-	-	8	14	16	-	-	-
150	6	F12	-	-	-	-	-	5	7	10	16	-
200	8	F12	-	-	-	-	-	-	-	5	8	16

\*FA= Flange connection • VF= Flange connection acc. to VETEC Standard

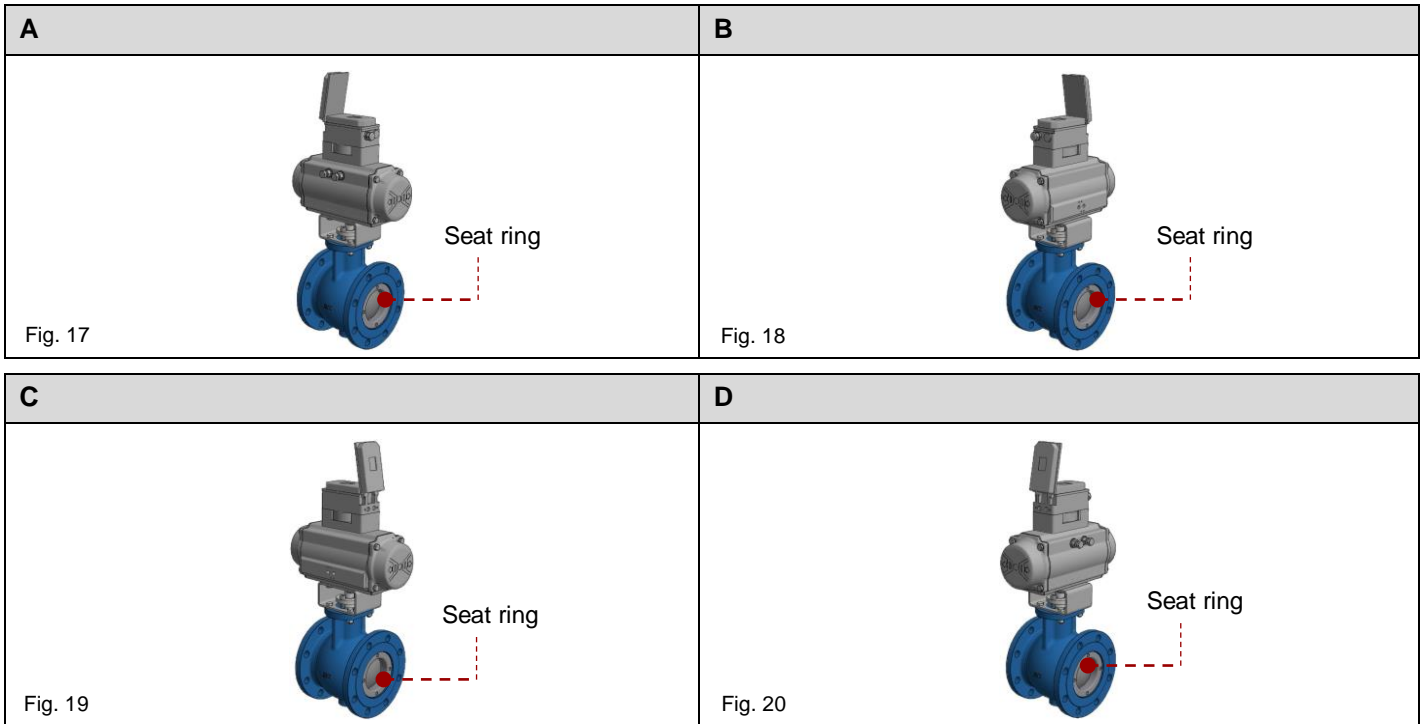
**Table 3.2:** Max. permissible differential pressures in psi • Springs 4/4 • Supply air pressure 58 psi

Actuator AT(SC/SO)			60	100	150	220	300	450	600	900	1200	2000
FA-Actuator			F07	F07	F07	F10	F10	F10/F12	F10/F12	F10/F12	F10/F12	F12
Adapter			12/17	-	-	-	-	22/27	22/27	22/27	22/27	22/27
Valve Type 62.7			Max. permissible differential pressures in psi									
DN	NPS	FA-Valve										
25	1	VF80	232	-	-	-	-	-	-	-	-	-
40	1½	VF80	-	232	-	-	-	-	-	-	-	-
50	2	VF80	-	116	232	-	-	-	-	-	-	-
80	3	VF85	-	-	-	160	232	-	-	-	-	-
100	4	F10	-	-	-	-	116	203	232	-	-	-
150	6	F12	-	-	-	-	-	72	101	145	232	-
200	8	F12	-	-	-	-	-	-	-	72	116	232

\*FA= Flange connection • VF= Flange connection acc. to VETEC Standard

### Attachment Types of the Actuator AT (SC/SO)

The actuator Type AT (SC/SO) can be attached to the valve in 4 positions (A, B, C, D).



### Mounting Positions of the Control Valve

Control valves that include type AIR TORQUE (SC/SO) actuator can be mounted in any desired position.

Sample installations: horizontal pipeline

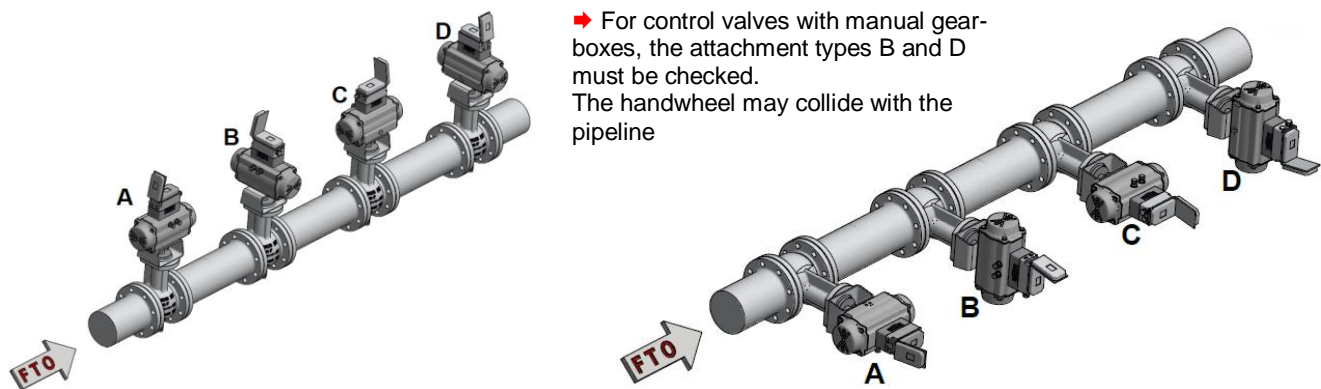


Fig. 9: Control Valve Type 62.7/AT in horizontal mounting position • attachment types of the actuator A, B, C, D

**Table 4:** Valve Overall Length acc. to DIN EN 558

Valve Size	DN	25	40	50	80	100	150	200
	NPS	1	1½	2	3	4	6	8
Pressure Rating	DIN → PN 10, 16, 25, 40 • ANSI → CL 150, 300							
Overall length → mm		102	114	124	165	194	229	243
Overall length → in		4.02	4.49	4.88	6.50	7.64	9.02	9.57
Series acc. to DIN EN 558	36							

**Table 5: Weights****Table 5.1:** Weights in kg • Control Valve without Accessories

Actuator Type AT(SC/SO)	60	100	150	220	300	450	600	900	1200	2000
Weights Actuator	4	5	6	9	12	17	22	33	42	67
<b>Valve Type 62.7</b>			<b>Weights → Valve + Actuator (incl. Bracket)</b>							
DN	NPS	Weights								
25	1	5	9	-	-	-	-	-	-	-
40	1½	7	-	12	-	-	-	-	-	-
50	2	9	-	14	15	-	-	-	-	-
80	3	19	-	-	-	28	31	-	-	-
100	4	26	-	-	-	-	38	43	48	-
150	6	46	-	-	-	-	-	63	68	79
200	8	67	-	-	-	-	-	-	-	100
										109
										134

**Table 5.2:** Weights in lbs • Valve + Actuator (incl. Bracket) without Accessories

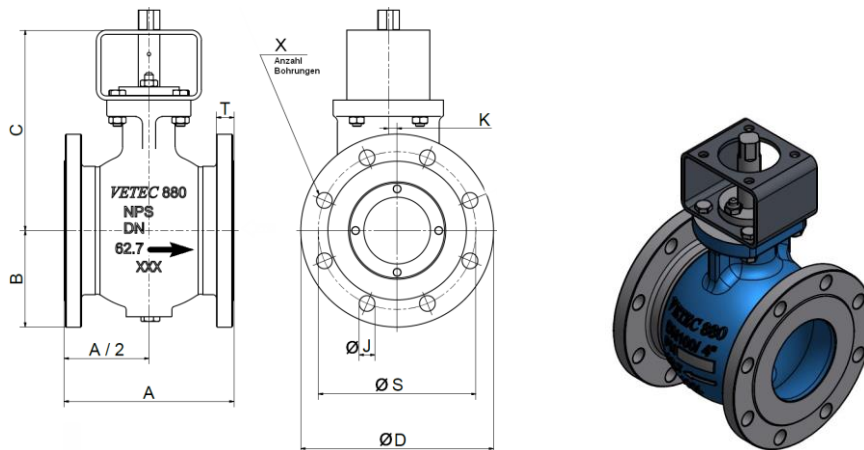
Actuator Type AT(SC/SO)	60	100	150	220	300	450	600	900	1200	2000
Weights Actuator	9	11	14	20	27	38	49	73	93	148
<b>Valve Type 62.7</b>			<b>Weights → Valve + Actuator (incl. Bracket)</b>							
DN	NPS	Weights								
25	1	11	20	-	-	-	-	-	-	-
40	1½	16	-	27	-	-	-	-	-	-
50	2	20	-	31	34	-	-	-	-	-
80	3	42	-	-	-	62	69	-	-	-
100	4	58	-	-	-	-	85	96	107	-
150	6	102	-	-	-	-	-	140	151	175
200	8	148	-	-	-	-	-	-	-	221
										241
										296



**Table 6: Installation Dimensions**

**Table 6.1: Dimensions • Valve with Bracket**

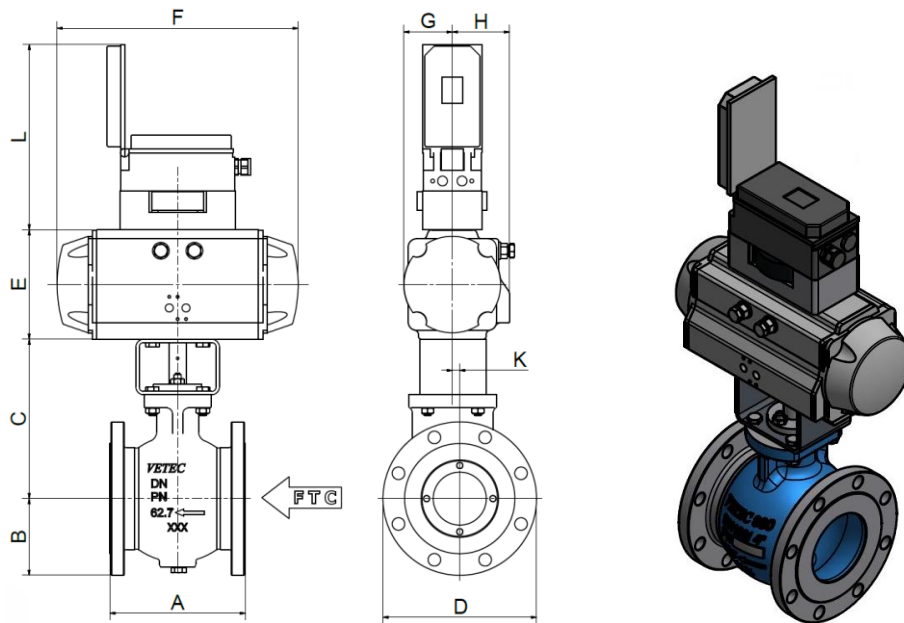
Valve size	Pressure Rating	A		B		C		D		K		J		S		T		X
		mm	in	mm	in	mm	in	mm	in	mm	in	mm	in	mm	in	mm	in	
DN 25	PN 10... 40	102	4.02	57,5	2.26	132	5.20	115	4.52	4	0.16	14	0.55	85	3.35	18	0.71	4
NPS 1	CL 150			54	2.13			108	4.25			15,7	0.61	79,2	3.12	14,2	0.56	
	CL 300			62	2.44			124	4.88			19,1	0.75	88,9	3.50	17,5	0.69	
DN 40	PN 10... 40	114	4.49	75	2.95	156	6.14	150	5.91	5	0.20	18	0.71	110	4.33	18	0.71	4
NPS 1½	CL 150			63,5	2.50			127	5.00			15,7	0.62	98,6	3.88	17,5	0.69	
	CL 300			78	3.07			156	6.14			22,4	0.88	114,3	4.50	20,6	0.81	
DN 50	PN 10... 40	124	4.88	82,5	3.25	162	6.38	165	6.50	6	0.24	18	0.71	125	4.92	20	0.79	4
NPS 2	CL 150			76,5	3.01			153	6.02			19,1	0.75	120,7	4.75	19,1	0.75	
	CL 300			82,5	3.25			165	6.50			22,4	0.88	127	5.00	22,4	0.88	
DN 80	PN 10, 16	165	6.50	100	3.94	221	8.70	200	7.87	8	0.31	18	0.71	160	6.30	20	0.79	8
	PN 25, 40			100	3.94			200	7.87			18	0.71	160	6.30	24	0.94	
NPS 3	CL 150			95,5	3.76			191	7.52			19,1	0.75	152,4	6.00	23,9	0.94	4
	CL 300			105	4.13			210	8.27			22,4	0.88	168,1	6.62	28,4	1.12	8
DN 100	PN 10, 16	194	7.64	110	4.33	229	9.02	220	8.66	10	0.39	18	0.71	180	7.09	20	0.79	8
	PN 25, 40			117,5	4.62			235	9.25			22	0.87	190	7.48	24	0.94	
NPS 4	CL 150			114,5	4.51			229	9.02			19,1	0.75	190,5	7.50	23,9	0.94	8
	CL 300			127	5.00			254	10.00			22,4	0.88	200,2	7.88	31,8	1.25	
DN 150	PN 10, 16	229	9.02	142,5	5.61	285	11.22	285	11.22	12	0.47	22	0.87	240	9.45	22	0.87	8
	PN 25, 40			150	5.90			300	11.81			26	1.02	250	9.84	28	1.10	
NPS 6	CL 150			140	5.51			280	11.02			22,4	0.88	241,3	9.50	25,4	1.00	12
	CL 300			159	6.26			318	12.52			269,7	10.62	36,6	1.44	12		
DN 200	PN 10	243	9.57	170	6.69	300	11.81	340	13.38	14	0.55	22	0.87	295	11.61	24	0.94	8
	PN 16			170	6.69			340	13.38			26	1.02	310	12.20	30	1.18	
	PN 25			180	7.09			360	14.17			30	1.18	320	12.60	34	1.34	12
	PN 40			187,5	7.38			375	14.76			30	1.18	320	12.60	34	1.34	
NPS 8	CL 150			171,5	6.75			343	13.50			22,4	0.88	298,5	11.75	28,4	1.12	8
	CL 300			190,5	7.50			381	15.00			25,4	1.00	330,2	13.00	41,1	1.62	12





**Table 6.2:** Dimensions • Actuator Type AT (SC/SO)

Actuator Type AT (SC/SO)	E		F		G		H	
	mm	in	mm	in	mm	in	mm	in
60	102	4.02	204	8.03	43	1.69	51	2.01
100	115	4.53	241	9.49	50	1.97	57	2.24
150	127	5.00	259	10.20	56	2.20	63	2.48
220	145	5.71	304	11.97	64	2.52	72	2.83
300	157	6.18	333	13.11	70	2.76	77	3.03
450	177	6.97	395	15.55	80	3.15	86	3.39
600	196	7.72	423	16.65	88	3.46	93	3.66
900	220	8.66	474	18.66	99	3.90	101	3.98
1200	245	9.65	528	20.79	110	4.33	112	4.41
2000	299	11.77	605	23.82	131	5.16	131	5.16



**Table 6.3:** Dimensions • Standard-Positioner (with open Cover)

Actuator Type AT (SC/SO)	SAMSON Positioner Type 3725		SAMSON Positioner Type 3730	
	L		L	
	mm	in	mm	in
60	205	8.07	265	10.43
100	205	8.07	265	10.43
150	205	8.07	265	10.43
220	205	8.07	265	10.43
300	205	8.07	265	10.43
450	205	8.07	265	10.43
600	205	8.07	265	10.43
900	235	9.25	295	11.61
1200	235	9.25	295	11.61
2000	235	9.25	295	11.61

**Table 7: Certificates, Manufacturer's Declarations**

<b>RL 2014/34/EU (ATEX)</b>	<b>Manufacturer's declaration</b> FB002.014	Excluded from the scope of application after ignition hazard assessment acc. to DIN EN 13463-1:2001, para. 5.2.
<b>RL 2014/68/EU (DGRL)</b>	<b>Manufacturer's declaration</b> FB002.121 DIN	The valves comply with the Pressure Equipment Directive and the conformity procedure Module H.
<b>RL 2014/68/EU (DGRL)</b>	<b>Manufacturer's declaration</b> FB002.122 ANSI	The valves comply with the Pressure Equipment Directive and the conformity procedure Module H.
<b>RL 2006/42/EG (MRL)</b>	<b>Declaration of conformity</b> FB002.175	Complete machine (valve with actuator or without actuator but with defined interface acc. to EN ISO 5211).
<b>DIN EN ISO 15848-1 TA-Luft</b>	<b>Manufacturer's declaration</b> FB002.085	German Clean Air Act (TA-Luft). The valves are suitable for use according to DIN EN ISO 1584-1. For performance class see manufacturer's declaration.
<b>IEC 61508/IEC 61511 (SIL)</b>	<b>Manufacturer's declaration</b> FB002.012	Applicable up to SIL 2 and with redundant wiring up to SIL 3.
<b>TP TC 010/2011 (EAC)</b>	<b>Certificate</b> RU C-DE.AЯ04.B.00339 FB002.135	Safety of machines and equipment (RU, BLR, KAZ).
<b>TP TC 012/2011 (EAC/Ex)</b>	<b>Certificate</b> RU C-DE.ГБ08.B.02294 FB002.152	Safety of equipment for use in hazardous areas (RU, BLR, KAZ).

The following information is required when ordering the valve:

#### Order text

Rotary Plug Valve	Type ...
Valve Size	DN/NPS ...
Pressure Rating	PN/CL ...
Body Material	lt. Table 2
Connection	flange form
Seat-Plug-Sealing	metal, soft sealing
Characteristic curve	linear or equal percentage (logarithmic)
Rotary Actuator	Type AT (SC/SO)
Fail-safe-action	FC or FO
Process medium	density and temperature
Maximum flow rate	kg/h or m <sup>3</sup> /h
Operating pressure	p1 and p2 in bar (absolute pressure)
Accessories	Positioner, Supply pressure regulator, etc.
Documentation	Technical and test documentation, certificates etc.

#### Associated overview data sheets

- ▶ BN004.322                      Kvs / Cv values
- ▶ TY005.000                      Temperature ranges - permissible operating pressures

VETEC Ventiltechnik GmbH

Siemensstraße 12 · 67346 Speyer

Phone: 06232 6412-0 · Fax: 06232 42479 · E-mail: [vetec@vetec.de](mailto:vetec@vetec.de) · Internet: [www.vetec.de](http://www.vetec.de)