

**SAMSON**

AND  
EVERYTHING  
FLOWS



**EFFECTIVE AND  
LONG-LASTING  
SEALING  
PERFORMANCE**

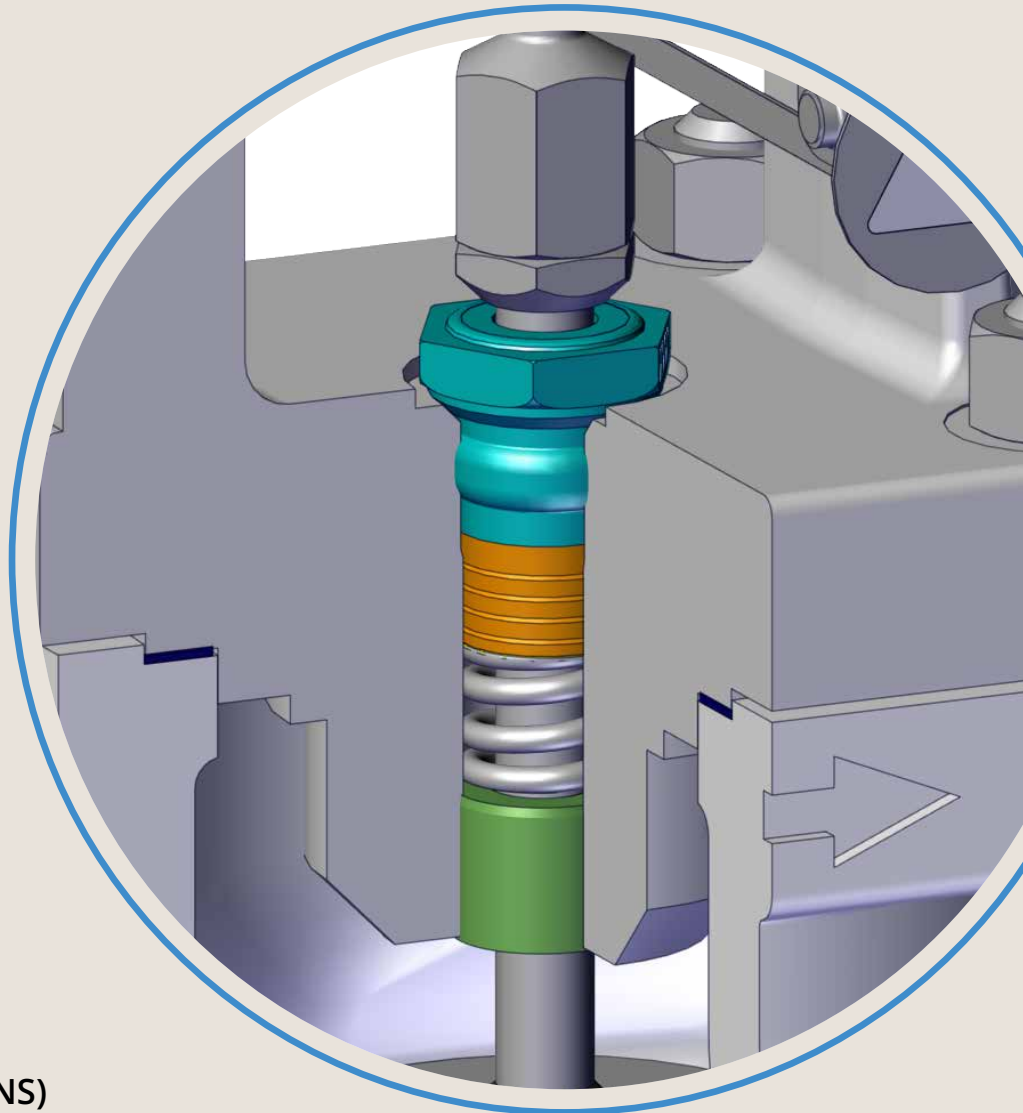
**NEW:  
LOE PACKING (LOW EMISSIONS)**

The maintenance-free packing is especially suitable for Types 3241, 3244, 3246, 3251, 3253, 3254 and 3256 Valves that must have an effective sealing performance over the entire temperature range.



AND  
EVERYTHING  
FLOWS

## EFFECTIVE AND LONG-LASTING SEALING PERFORMANCE



### LOE PACKING (LOW EMISSIONS)

- Institute-independent certification according to ISO 15848-1:2017
- Complies with the latest 2021 TA Luft requirements
- Certified medium temperature range: -50 to +220 °C
- Certified medium temperature range (Type 3241 as shut-off valve): -50 to +220 °C
- Certified medium temperature range (Types 3241 and 3244 with insulating section): -196 to +450 °C
- Suitable for ambient temperatures as low as -50 °C
- Suitable for use with gases and liquids