



AND
EVERYTHING
FLOWS



SAM SERVICES

SPARE PARTS KITS
Valves and actuators

SAMSON SPARE PARTS KITS ARE AVAILABLE FOR THE FOLLOWING PRODUCT TYPES:

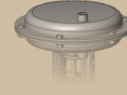
Valves:



3241, 3244, 3246, 3248, 3251,
3321, 3510, 251GR, 3254, 3256

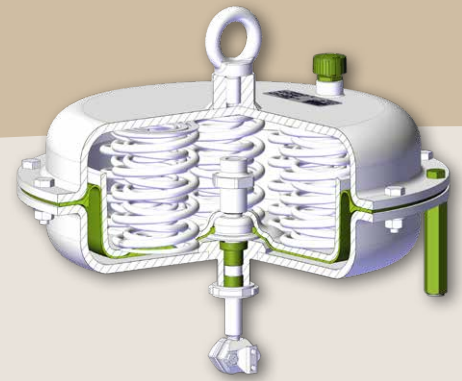
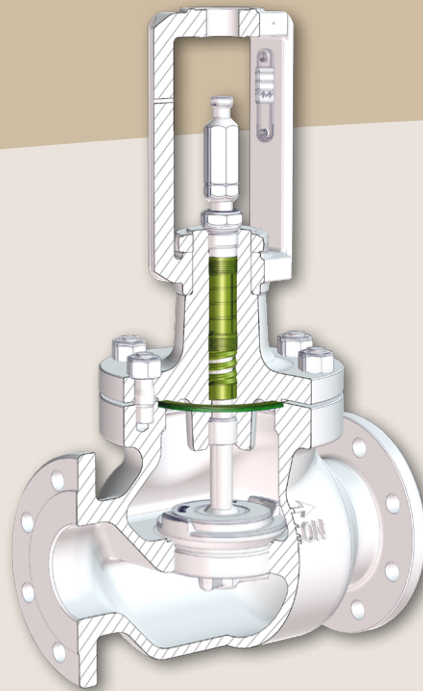
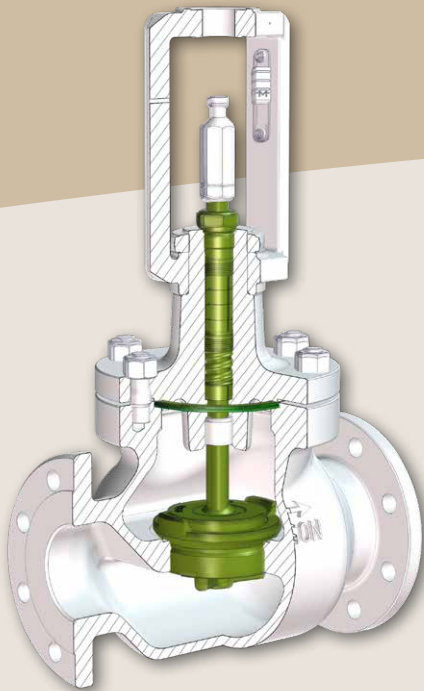
Self-operated regulators:

2405, 2406, 2412, 2417*



Actuators:

3271, 3277, 2413



FULL MAINTENANCE KIT

- Seat and plug
- Threaded bushing
- Packing
- Body gasket

SEALING KIT

- Packing
- Body gasket

ACTUATOR KIT

- Diaphragm
- Vent plug
- Radial shaft seal
- Wiper ring
- Dry bearing
- Preloading nut and bolt

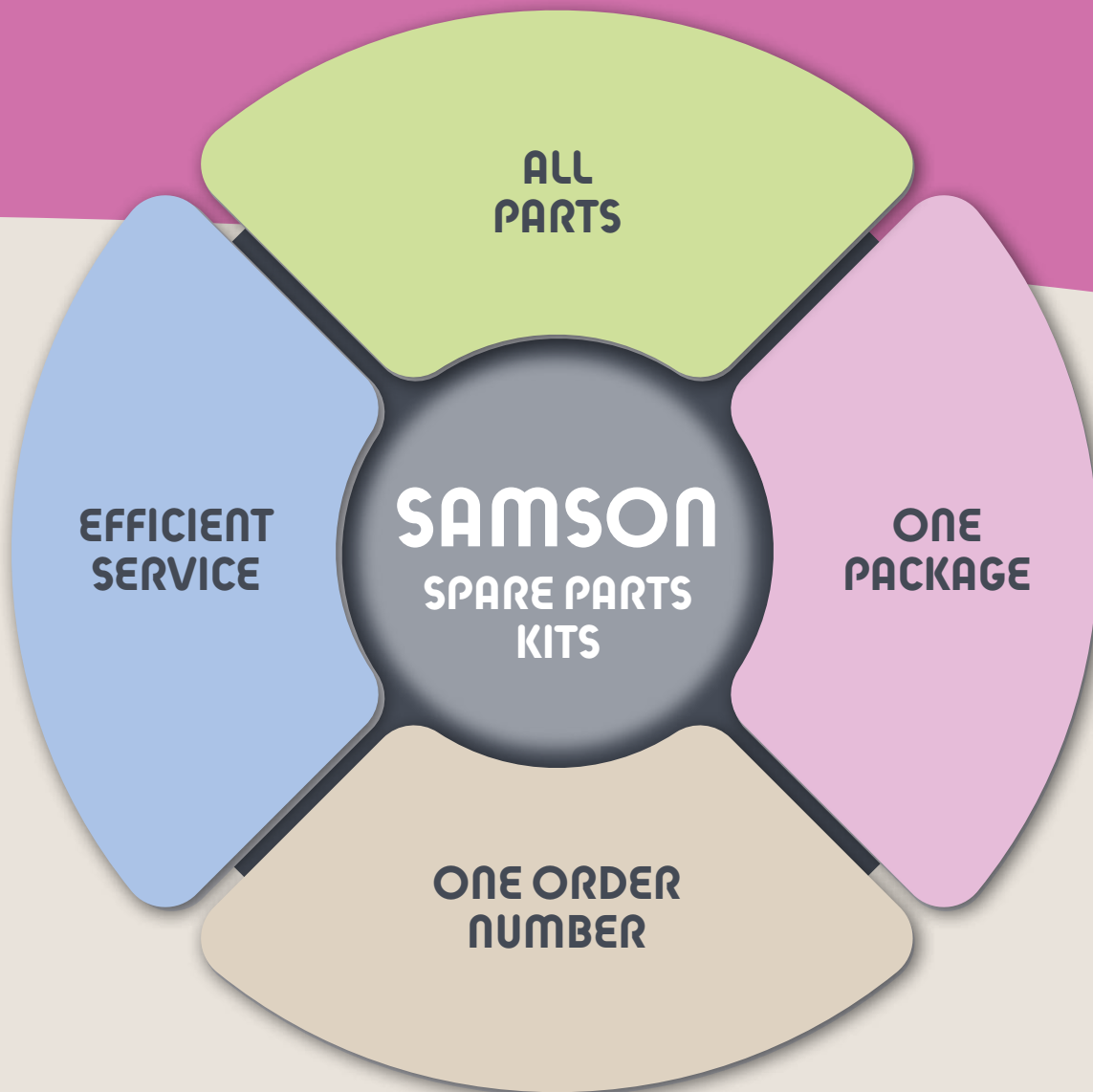
Technical information

- Also available with cleaned parts subject to wear
- What the kits contain depends on the valve and actuator configurations
- Body stud bolts and nuts as well as service lubricants (2 g) also available

* Manufactured in 2018 and later

YOUR BENEFITS

- Clear, consistent recommendations on necessary spare parts
- Easy to order: only one ordering number per kit
- Save time and money in logistics and warehousing
- Better first-time fix rate: no missing parts



Customer feedback

"The spare parts kits by SAMSON have made life much easier for our staff in purchasing, logistics and maintenance. Our maintenance quality has improved in particular as we now have all the recommended spare parts complete in one set."



AND
EVERYTHING
FLOWS



SAM SERVICES

SPARE PARTS KITS

samsongroup.com

